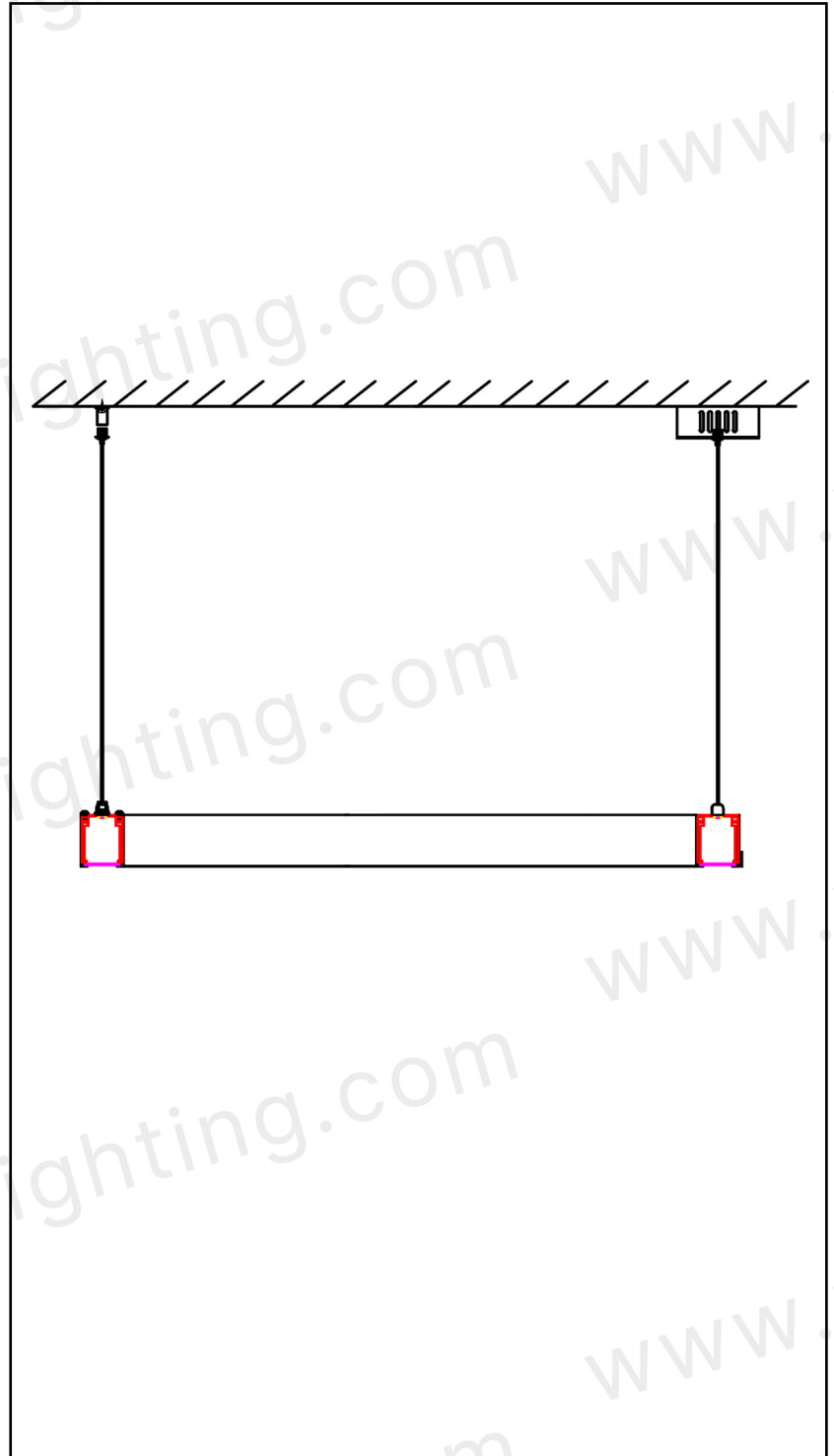
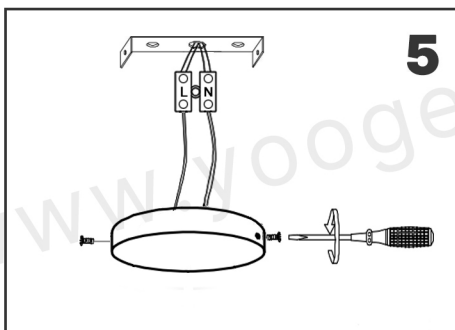
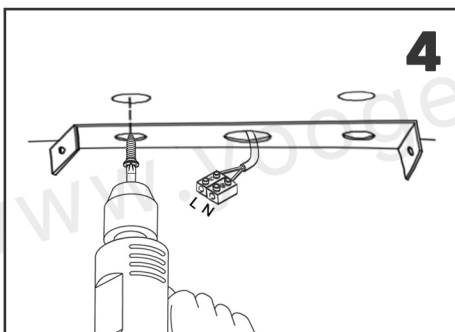
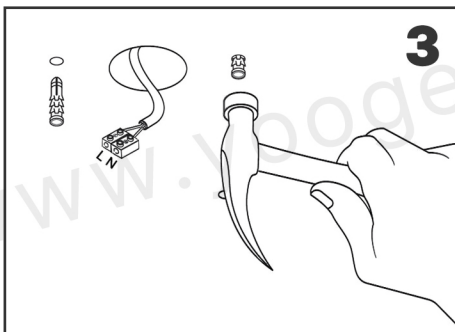
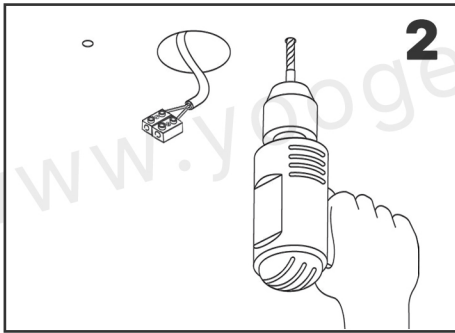


PLEASE NOTE:


Please keep the electricity powered off during the installation process!

1. Fix the mounting bracket to the ceiling
2. Please connect the wires and test whether the circuit is unobstructed



If you have any questions, please feel free contact to us, THANK YOU!

 : sales@yoogee-lighting.com

 : +8613322904008