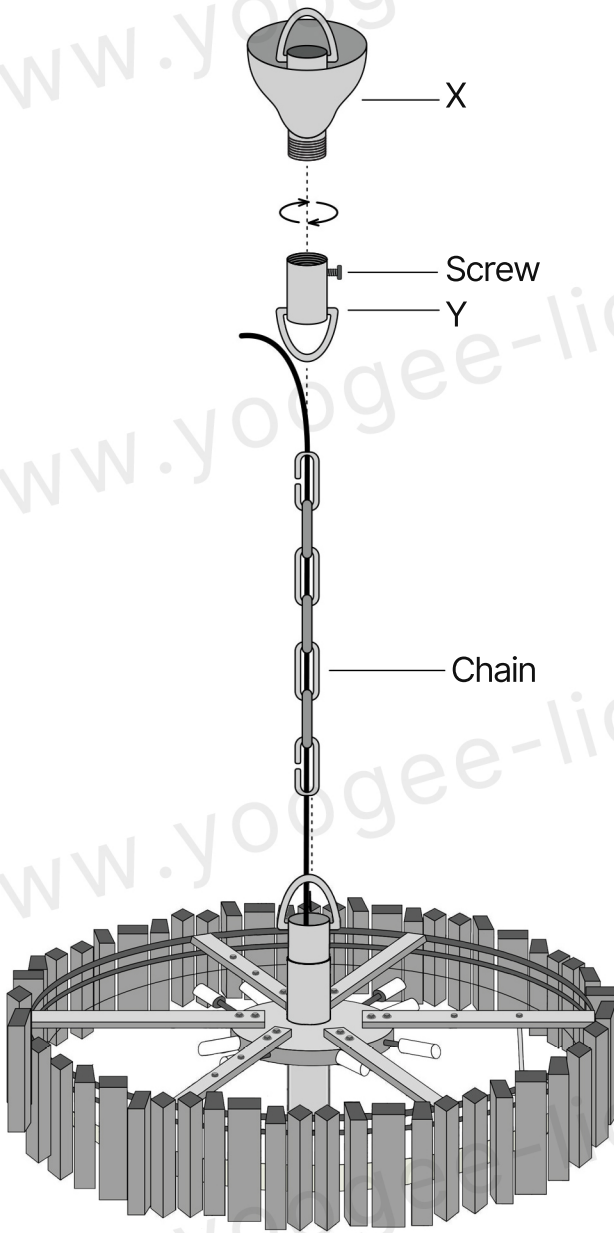
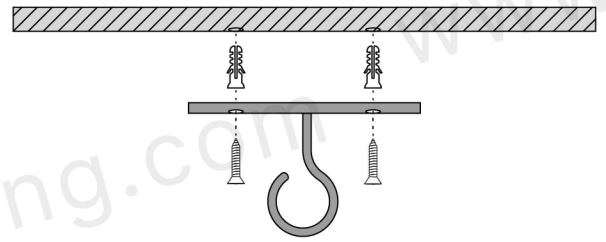


1



Install X and Y and tighten the screw.  
Connect the frame and XY with the chain.

2



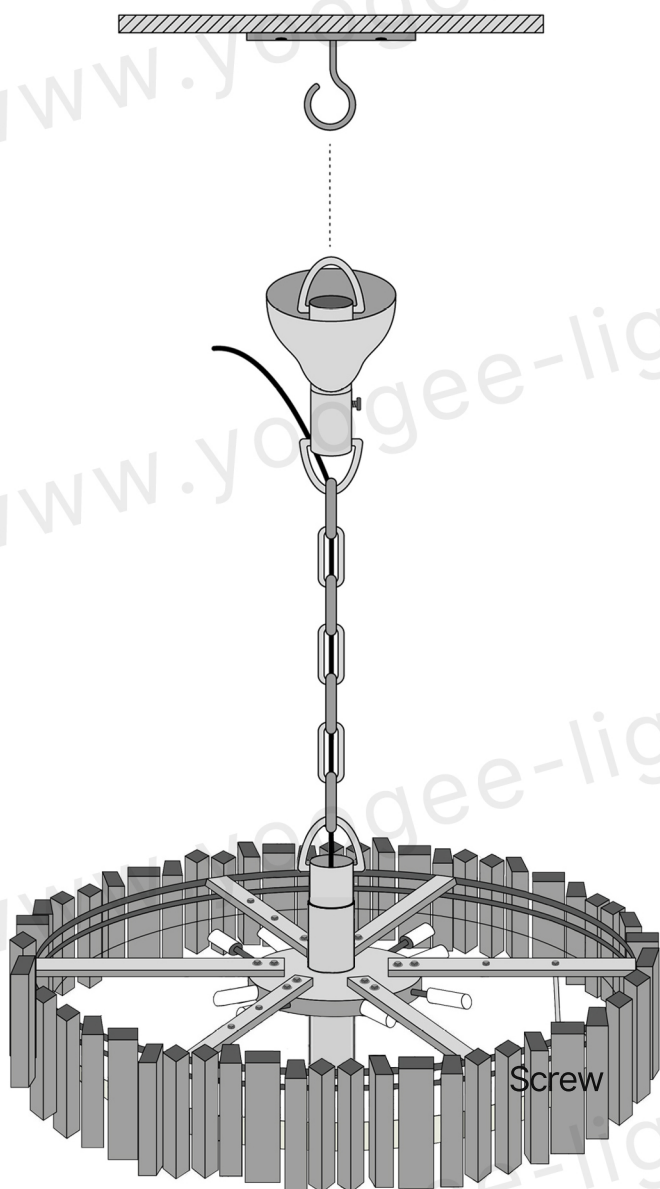
Install the hook on the ceiling using  
drill machine, royal plug and screws.

If you have any questions, please feel free contact to us, THANK YOU!

✉ : [sales@yoogee-lighting.com](mailto:sales@yoogee-lighting.com)

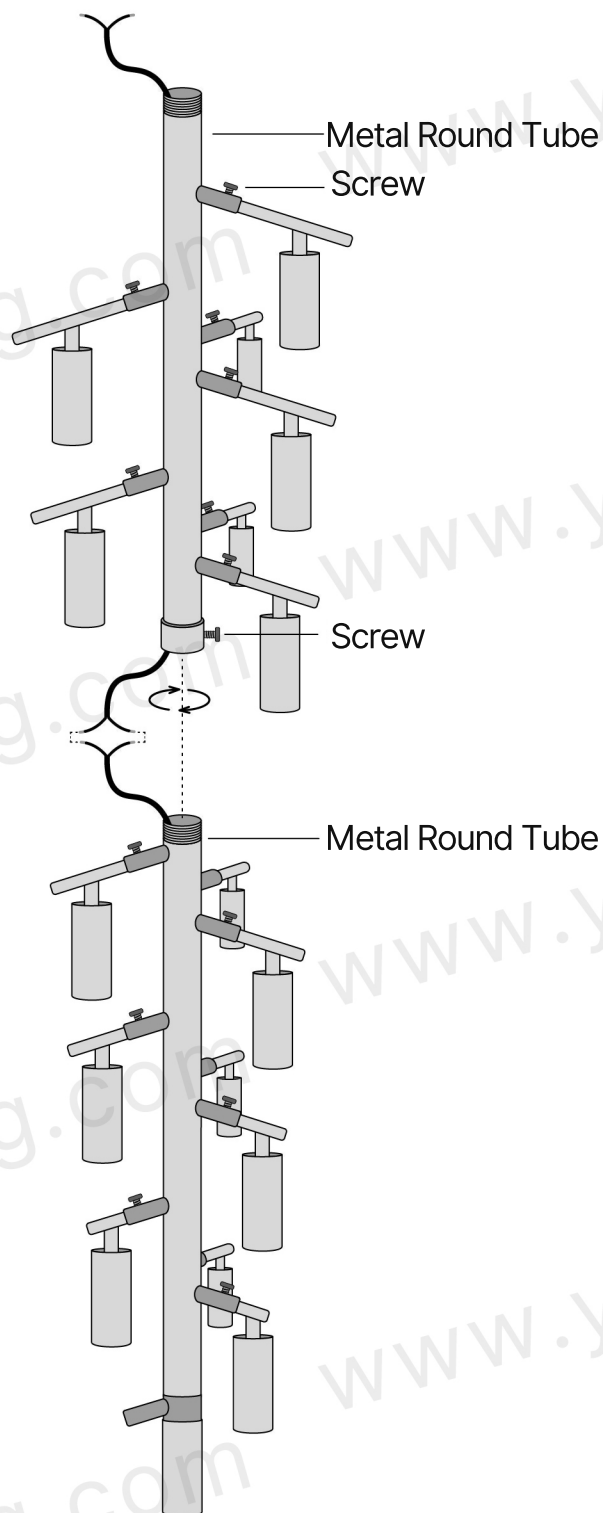
☎ : +8613322904008

3



Hang the metal set to the hook,  
on the ceiling

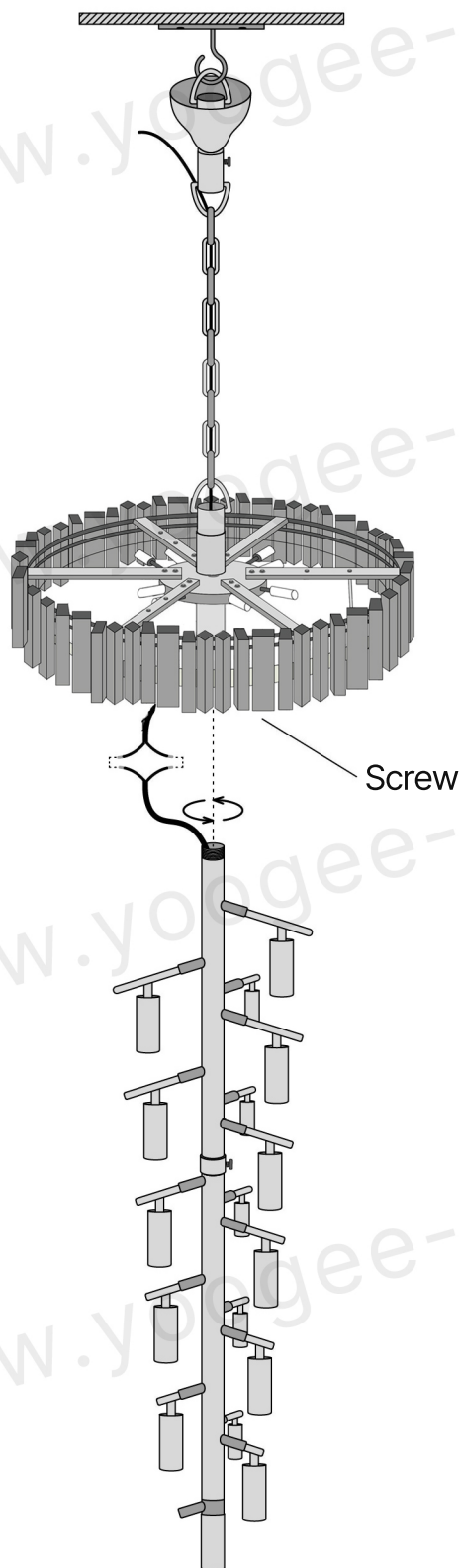
4



Install all the lamp to the round tubes with  
screw. Join the cable and well twisted  
with scotch tape. Then connect  
the metal round tubes.

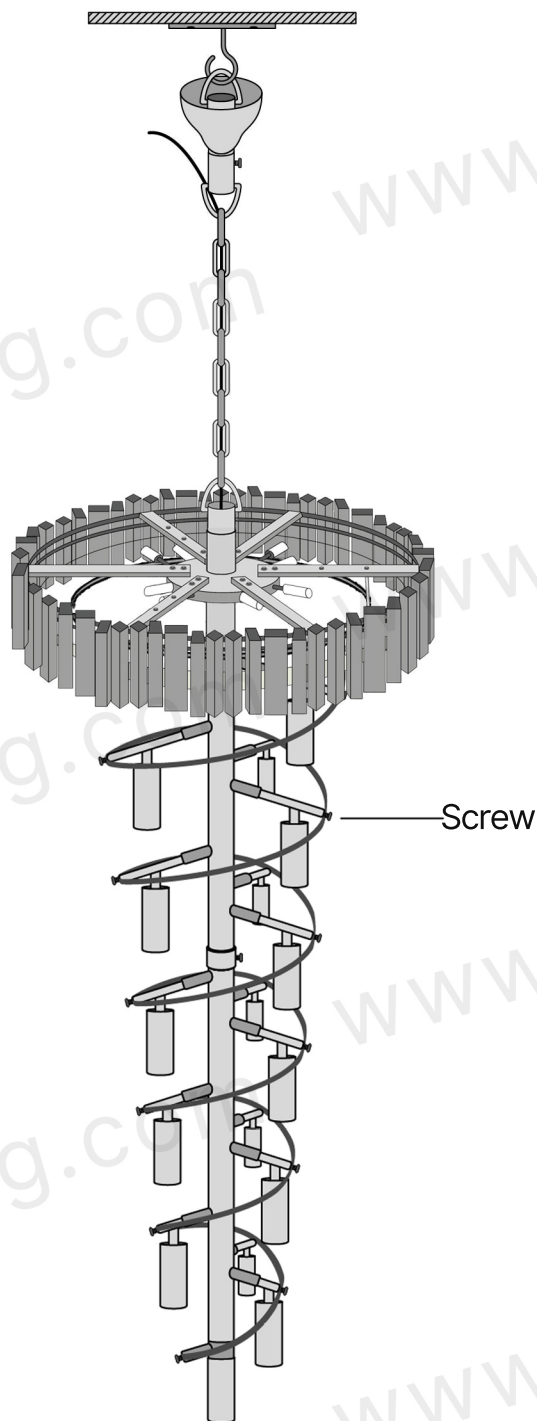
If you have any questions, please feel free contact to us, THANK YOU!

5



Join the cable and well twisted with scotch tape. Then connect the metal round tubes and the metal set. And tighten the screw.

6



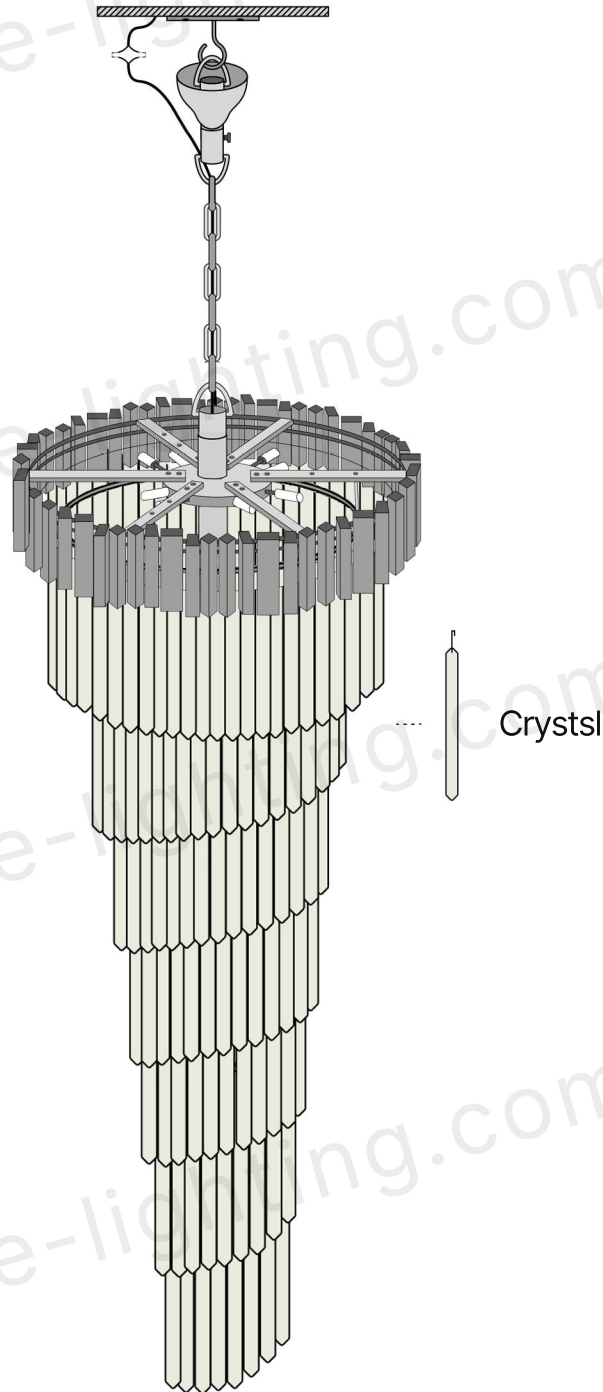
Install the metal fence with screws. (Install from top to bottom according to the mark on the fence)

If you have any questions, please feel free contact to us, THANK YOU!

✉ : [sales@yoogee-lighting.com](mailto:sales@yoogee-lighting.com)

☎ : +8613322904008

7



Hang the crystal to the metal edge.  
And join the light cable with the main power cable.

#### Installation precautions

1. This lamp is applicable for 110V to 240V power supply.
2. Please cut off the power supply before installation, and the installation shall be carried out by a professional electrician.
3. Cut off the power supply before cleaning.
4. Use a non-corrosive cleaner during cleaning.
5. After receiving the goods, please test the power supply first to ensure that there is no problem with the lamps and then install them on the ceiling.

If you have any questions, please feel free contact to us, THANK YOU!

✉ : [sales@yoogee-lighting.com](mailto:sales@yoogee-lighting.com)

☎ : +8613322904008