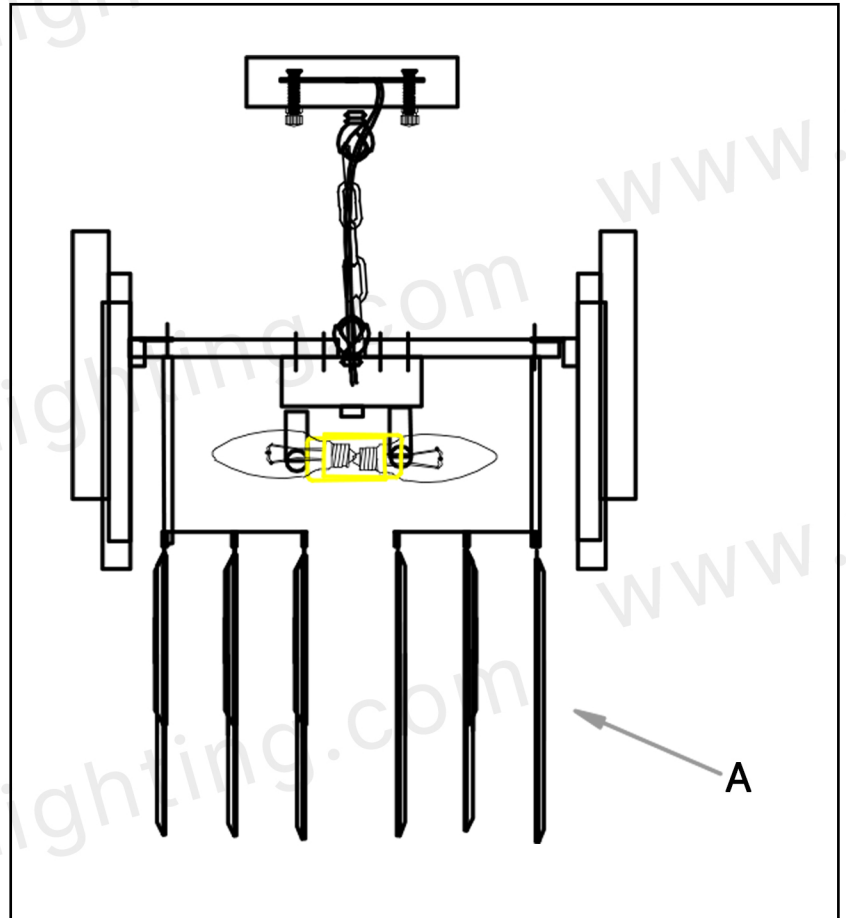


**PLEASE NOTE:**

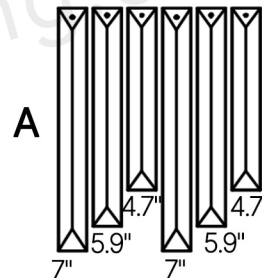
Please keep the electricity powered off during the installation process!

1. Fix the mounting bracket to the ceiling
2. Install the LED Bulbs and test whether the circuit is unobstructed
3. Please install the crystal according to the picture below



**Crystal hanging method:**

A: Please hang 4.7", 5.9" and 7" crystals one by one on



If you have any questions, please feel free contact to us, THANK YOU!