

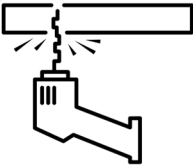
Steps for Installing a Crystal Chandelier

1. Preparation



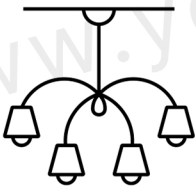
- Tools Needed: Drill, screwdriver, pliers, electrical tape, ladder, etc.
- Check the Components: Ensure all parts are complete (chandelier base, crystal parts, screws, bulbs, etc.).
- Turn Off Power: Always turn off the electricity at the circuit breaker before starting.

2. Install the Mounting Base



- Determine the Location: Mark the mounting points on the ceiling based on the chandelier's size.
- Secure the Mounting Plate:
 - For heavier chandeliers, use expansion screws or hooks for added support.
 - Drill holes in the ceiling and securely fix the mounting plate.
- Connect the Wires:
 - Connect the chandelier wires to the ceiling's power wires (live wire [L], neutral wire [N], and ground wire [E]).
 - Use electrical tape to wrap the connections securely.

3. Attach the Chandelier Body



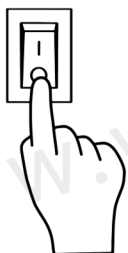
- Hang the Chandelier Body: Attach the chandelier body to the mounting plate or hook, ensuring it is secure.
- Adjust Balance: Ensure the chandelier hangs straight and does not tilt.

4. Install Crystal Components



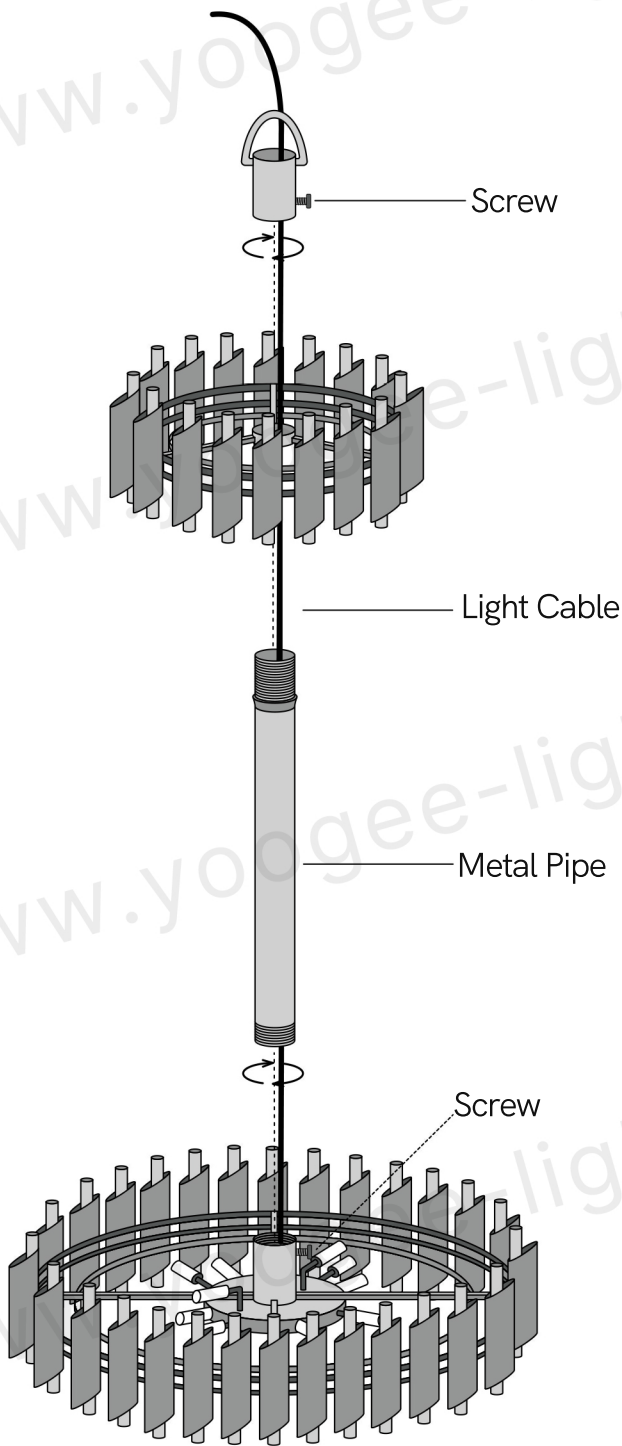
- Install Light Bulbs:
 - Insert the bulbs according to the instructions, ensuring they don't exceed the wattage limit.
- Hang Crystal Pendants:
 - Refer to the instruction manual to hang the crystals in the correct order.
 - Wear gloves to avoid fingerprints or smudges on the crystals.
- Check Stability: Ensure all crystals are securely attached to prevent them from falling.

5. Test the Chandelier



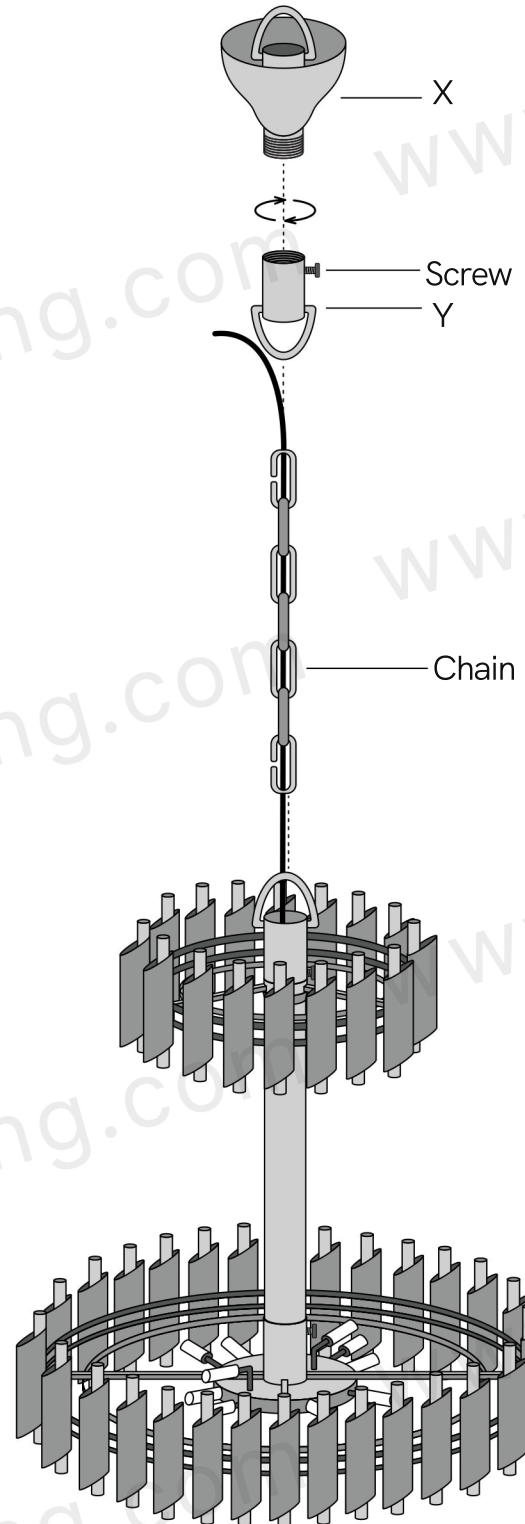
- Turn on the Power: Restore the electricity and check if the chandelier lights up properly.
- Adjust Lighting: If the chandelier supports dimming, test the dimming functionality.

1



Connect two metal frames with round metal pipe and tighten the screws. Make sure light cable should be inside the power cable.

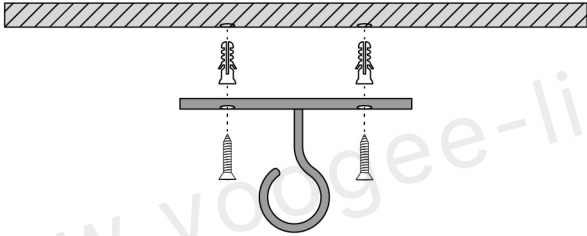
2



Install X and Y and tighten the screw. Connect the frames and XY with the chain.

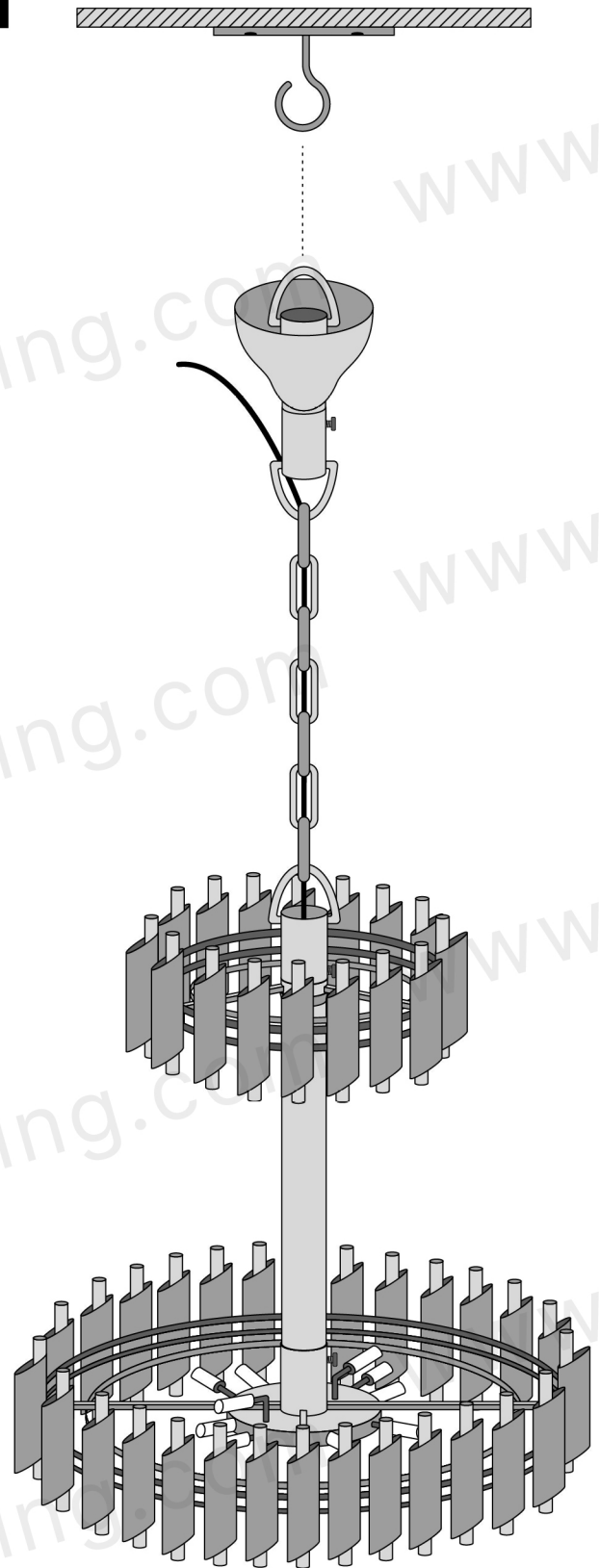
If you have any questions, please feel free contact to us, THANK YOU.

3



Install the hook on the ceiling using drill machine. royal plug and screws.

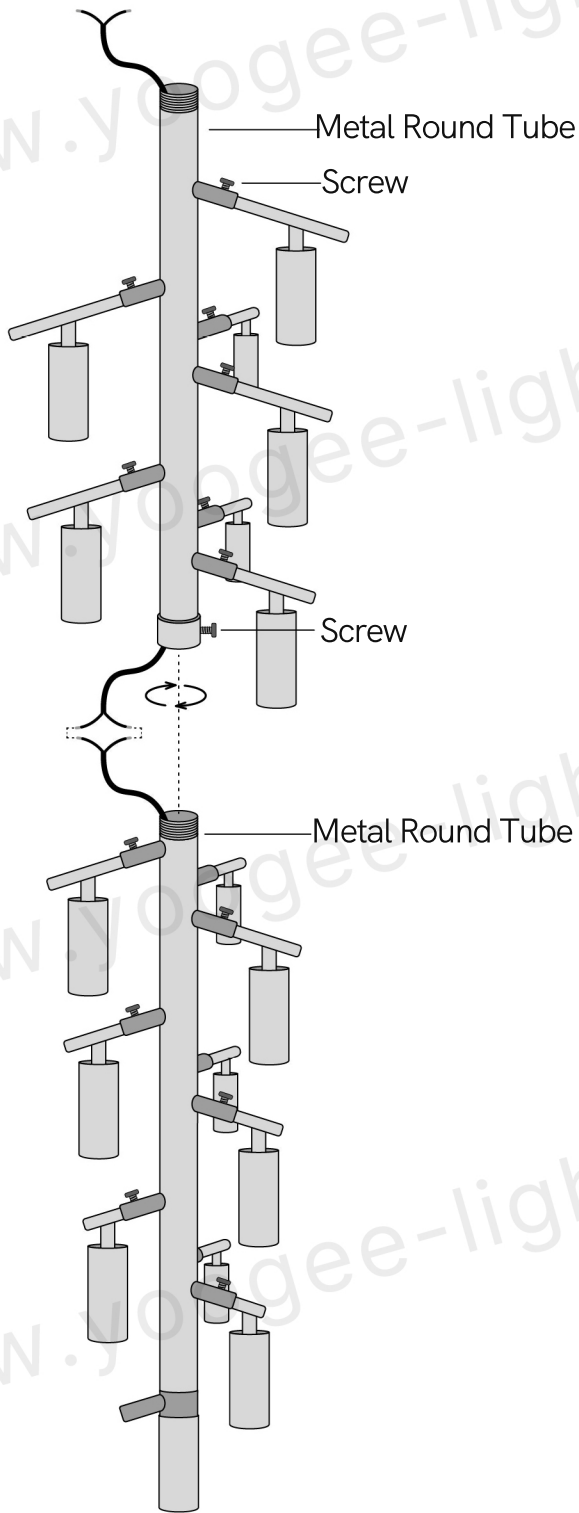
4



Hang the metal set to the hook, on the ceiling

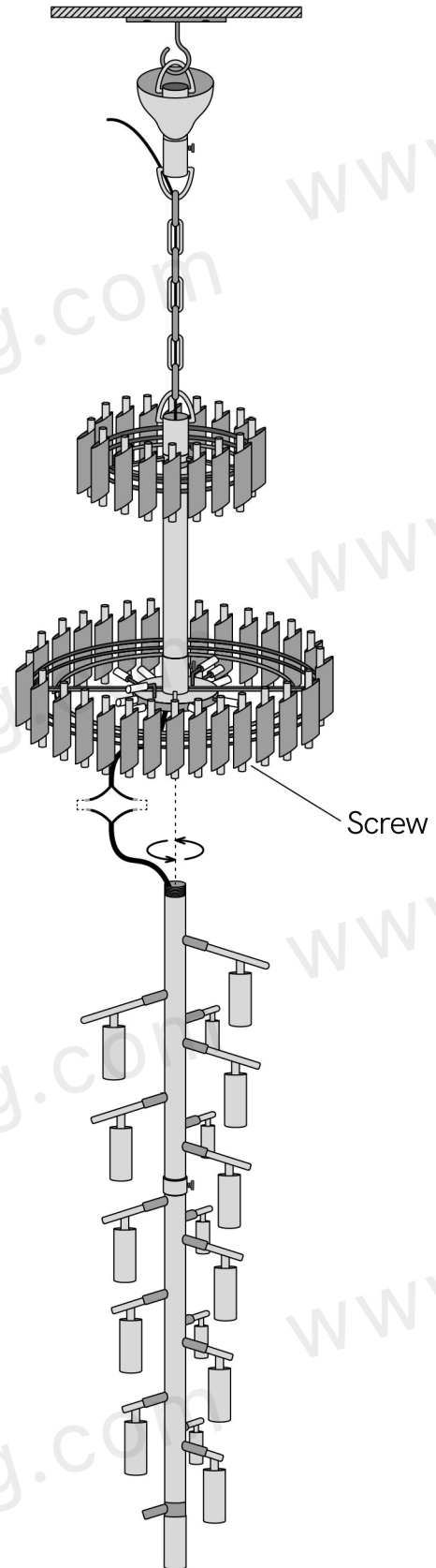
If you have any questions, please feel free contact to us, THANK YOU.

5



Install all the lamp to the round tubes with screw. Join the cable and well twisted with scotch tape. Then connect the metal round tubes.

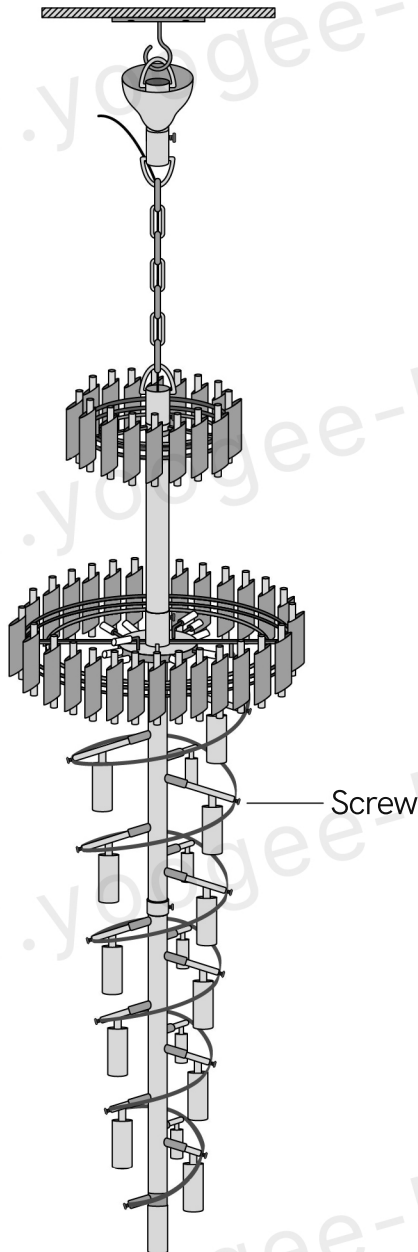
6



Join the cable and well twisted with scotch tape. Then connect the metal round tubes and the metal set. And tighten the screw.

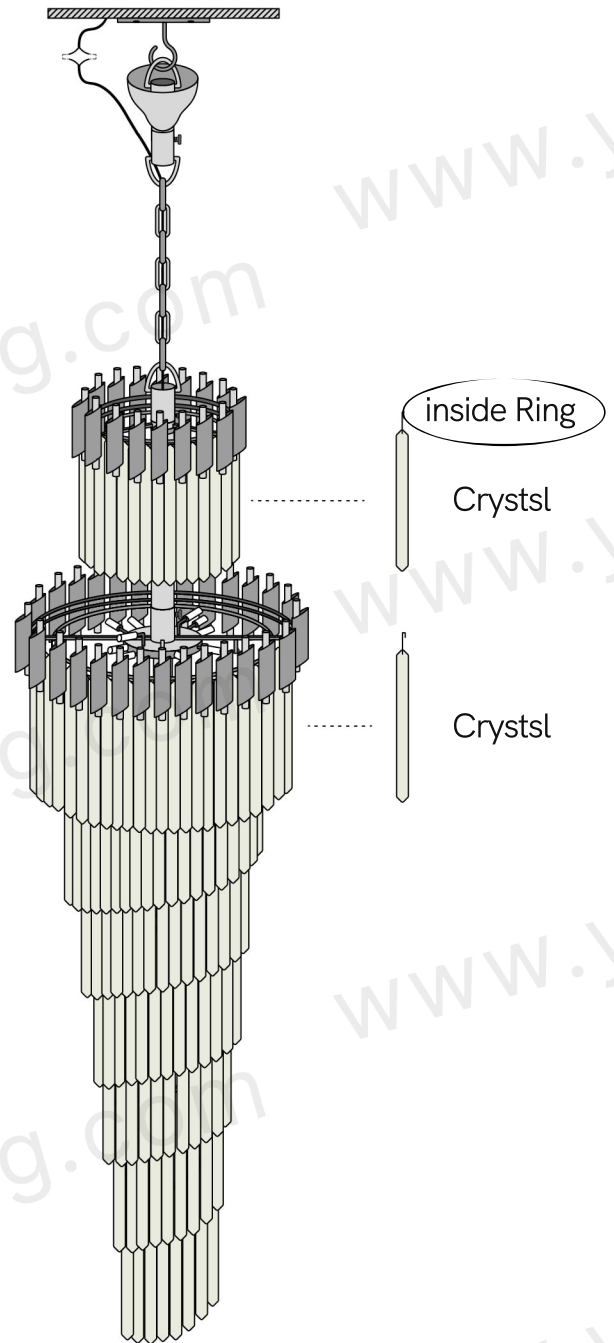
If you have any questions, please feel free contact to us, THANK YOU.

7



Install the metal fence with screws. (install from top to bottom according to the mark on the fence)

8



Hang the crystal to the metal edge. And join the light cable with the main power cable.

Installation precautions

1. This lamp is applicable for 110V to 240V power supply.
2. Please cut of the power supply before installation, and the installation shall be carried out by a professional electrician.
3. Cut off the power supply before cleaning.
4. Use a non-corrosive cleaner during cleaning.
5. After receiving the goods, please test the power supply first to ensure that there is no problem with the lamps and then install them on the ceiling,

If you have any questions, please feel free contact to us, THANK YOU.