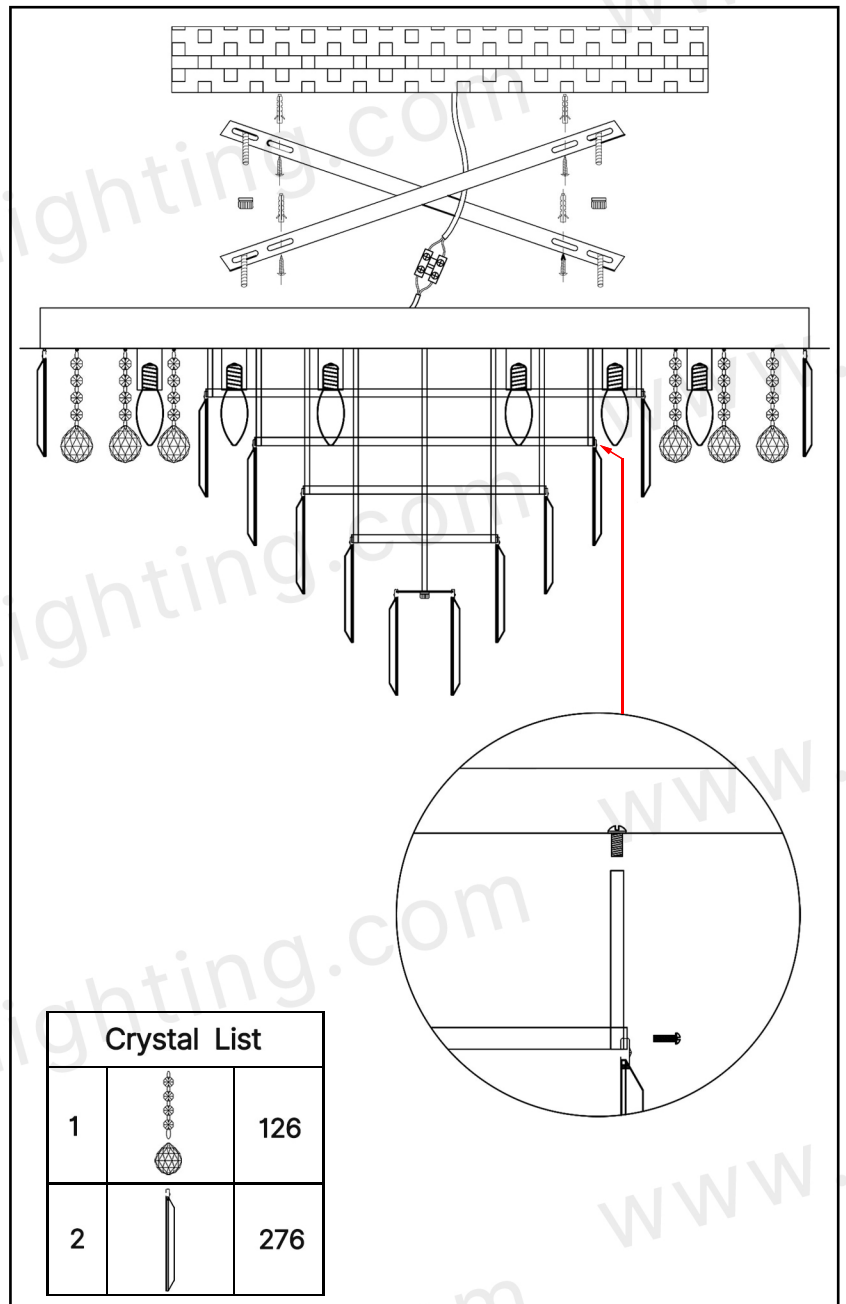




PLEASE NOTE:

Please keep the electricity powered off during the installation process!

1. Fix the mounting bracket to the ceiling
2. Connect the crystal shelf to the chassis by using connecting rods
3. Install the chassis to the ceiling bracket
4. Install the LED Bulbs and test whether the circuit is nobstructed
5. Please install the crystal according to the picture below



Crystal List		
1		126
2		276

If you have any questions, please feel free contact to us, THANK YOU!