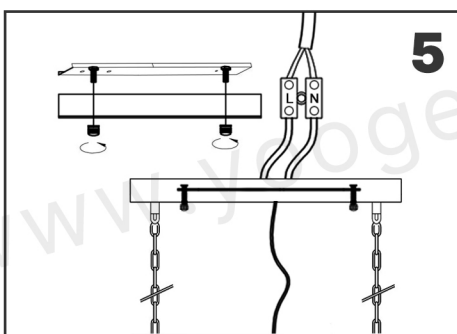
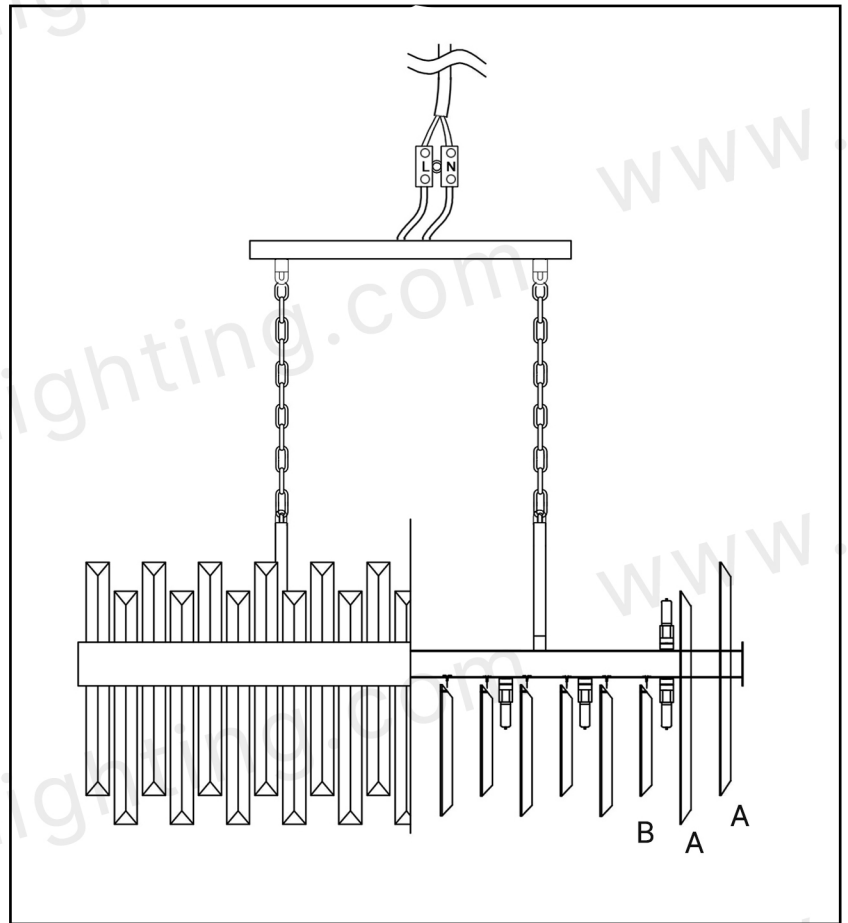
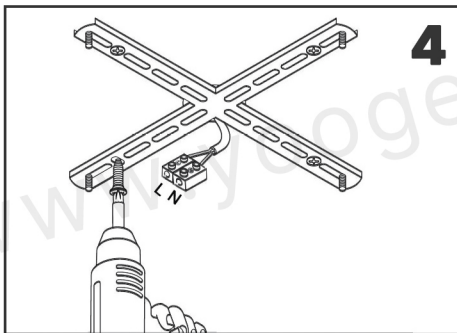
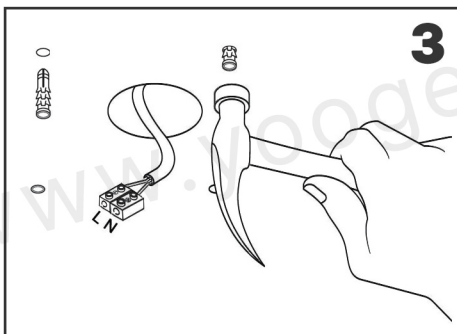
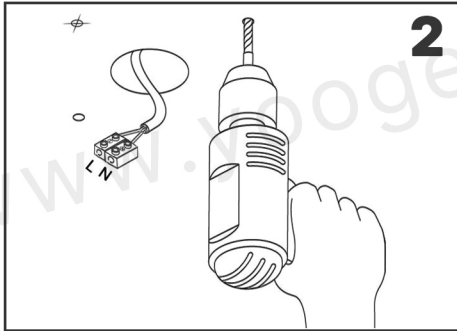


PLEASE NOTE:

Please keep the electricity powered off during the installation process!

1. Fix the mounting bracket to the ceiling
2. Install the LED Bulbs and test whether the circuit is unobstructed
3. Please install the crystal according to the picture below

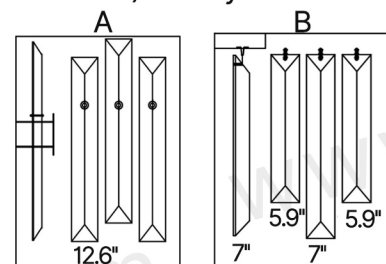


Crystal hanging method:

1. Insert **A** crystals around the frame of the chandelier.

Please note: There are two anchor point sizes of **A** crystal. please insert two crystals with different anchor points one by one around the chandelier frame

2. Hang the **B** crystals (5.9" and 7") one by one on the bottom of the frame



If you have any questions, please feel free contact to us, THANK YOU!