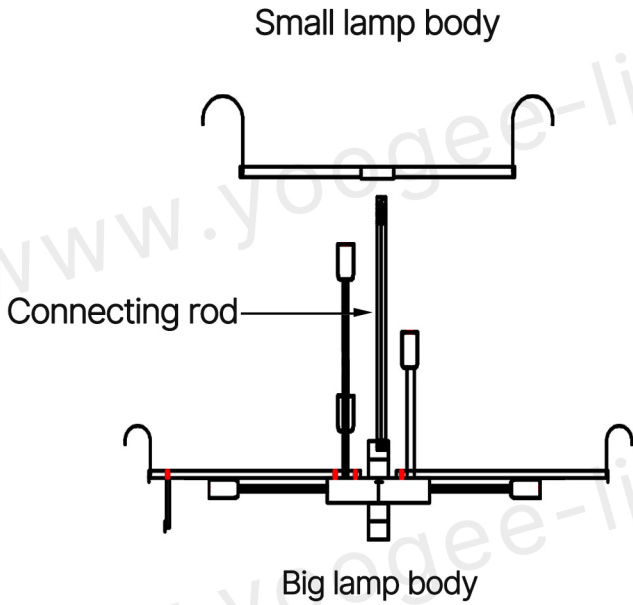
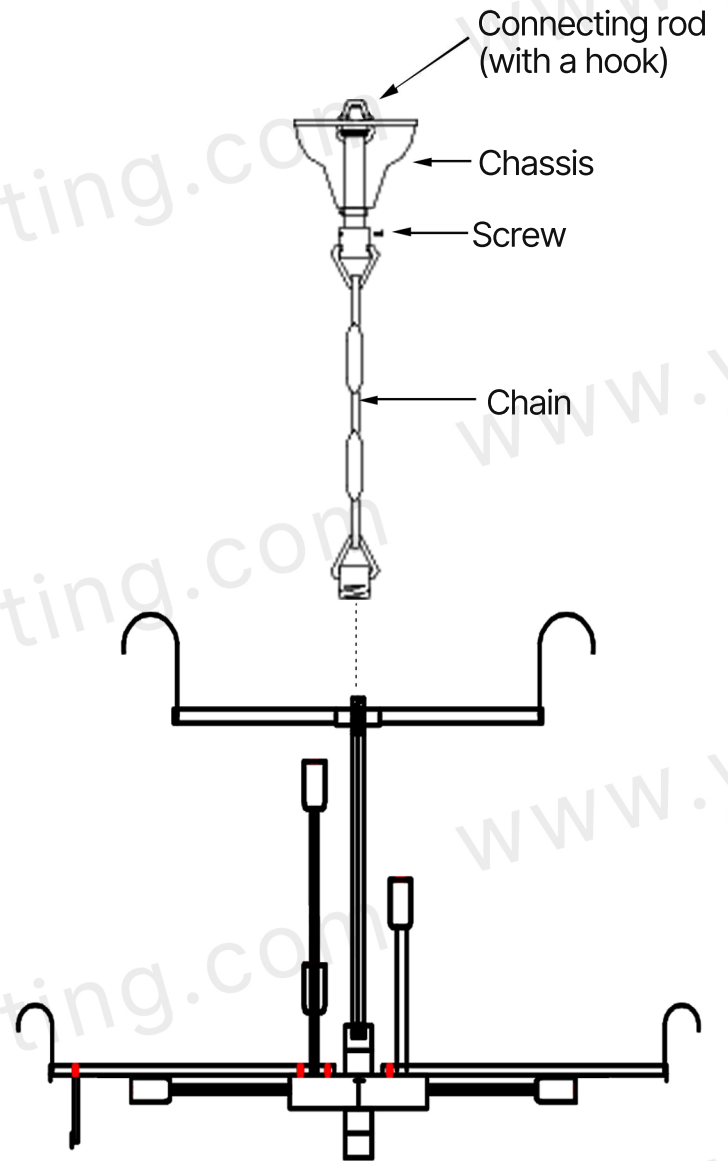


1



Connect the big lamp body and the small lamp body through the connecting rod.

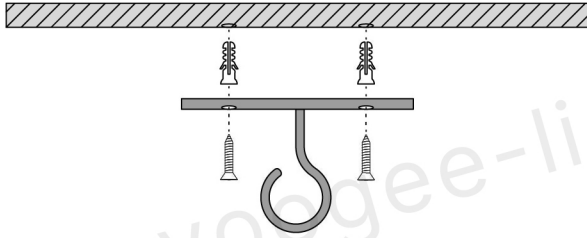
2



Connect the chassis to the chain via a connecting rod (with a hook), tighten the screws. Then install the chain on the lamp body.

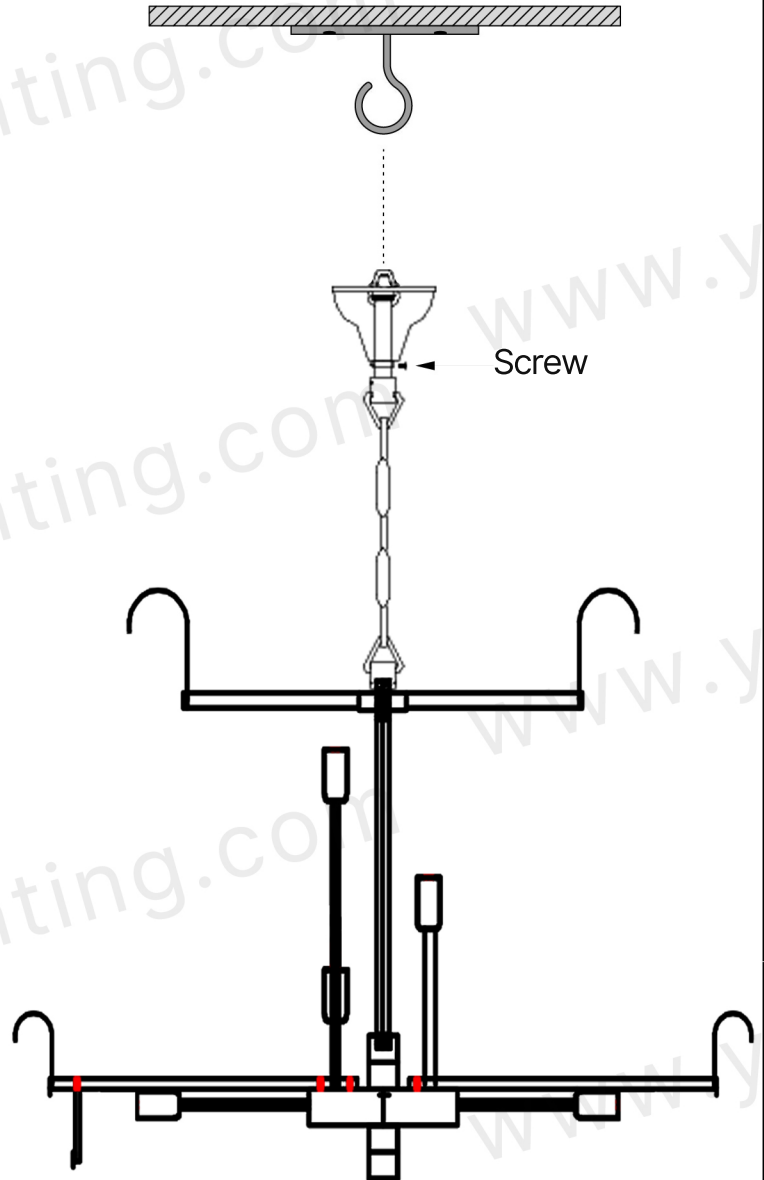
If you have any questions, please feel free contact to us, THANK YOU!

3



Install hook on the ceiling by using expansion screws.


4



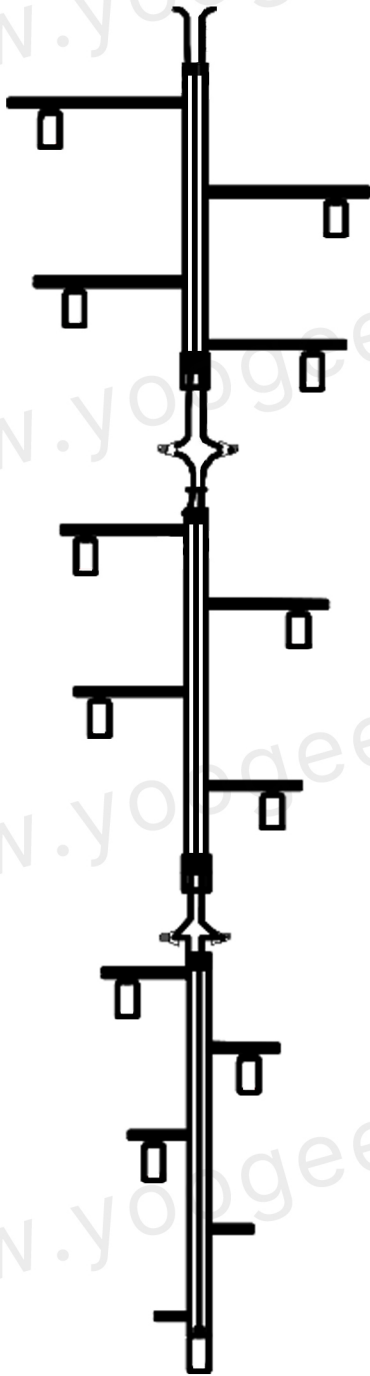
Hang the lamp body part on the hook, and lock the screw of the chassis.

If you have any questions, please feel free contact to us, THANK YOU!

 : sales@yoogee-lighting.com

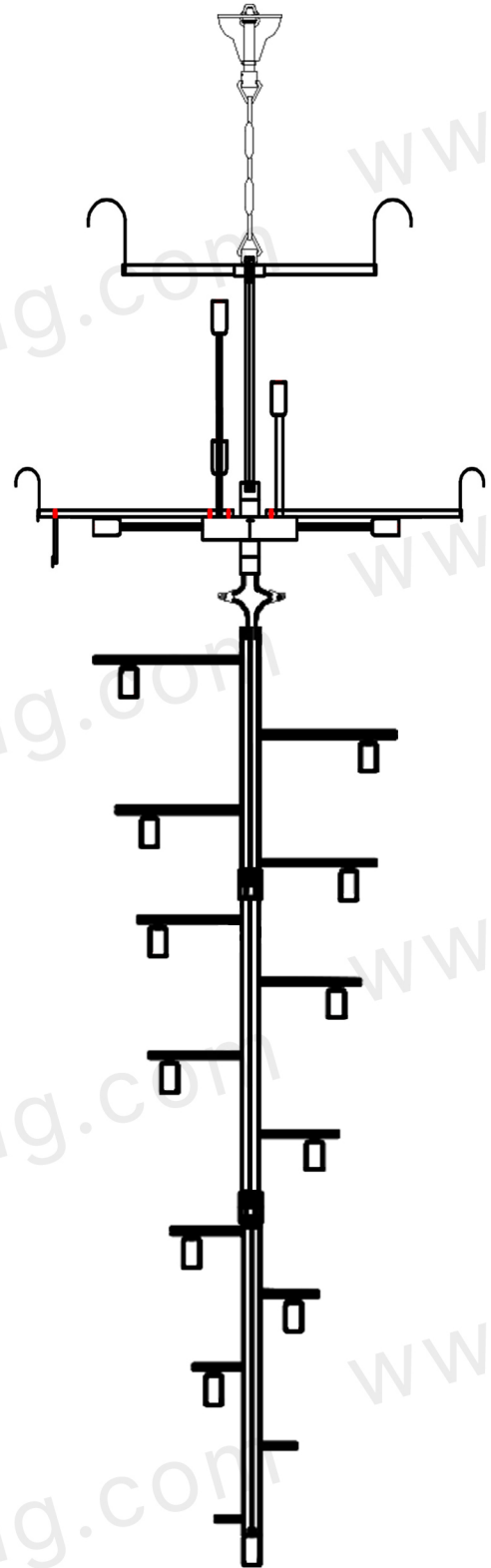
 : +8613322904008

5



Connect all the round tubes together and connect the wires.


6

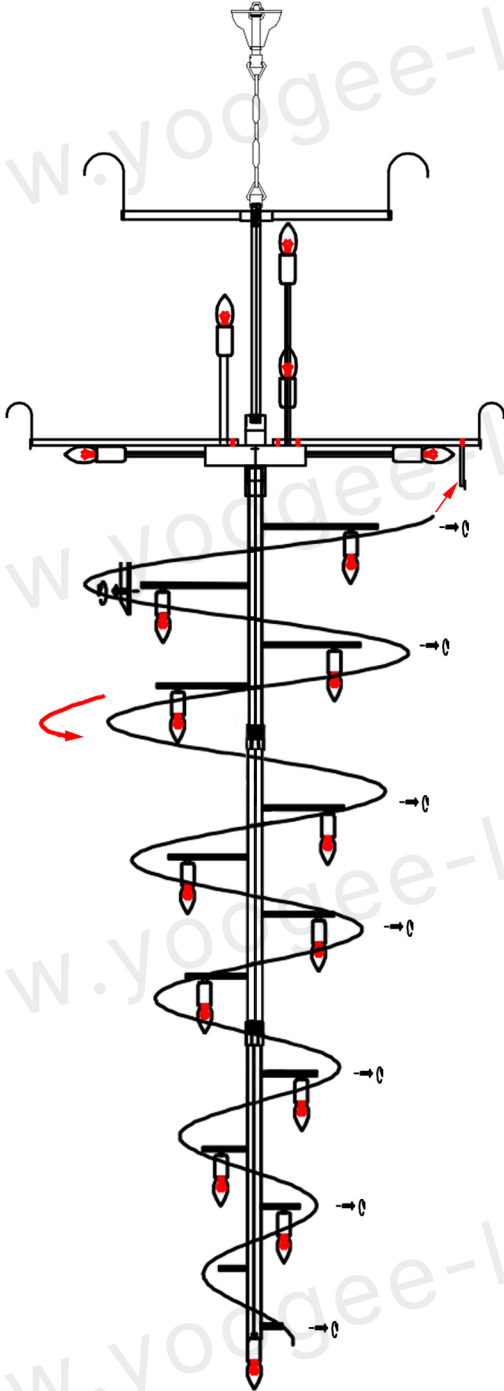


Install the round tube on the lamp body and connect the wires.

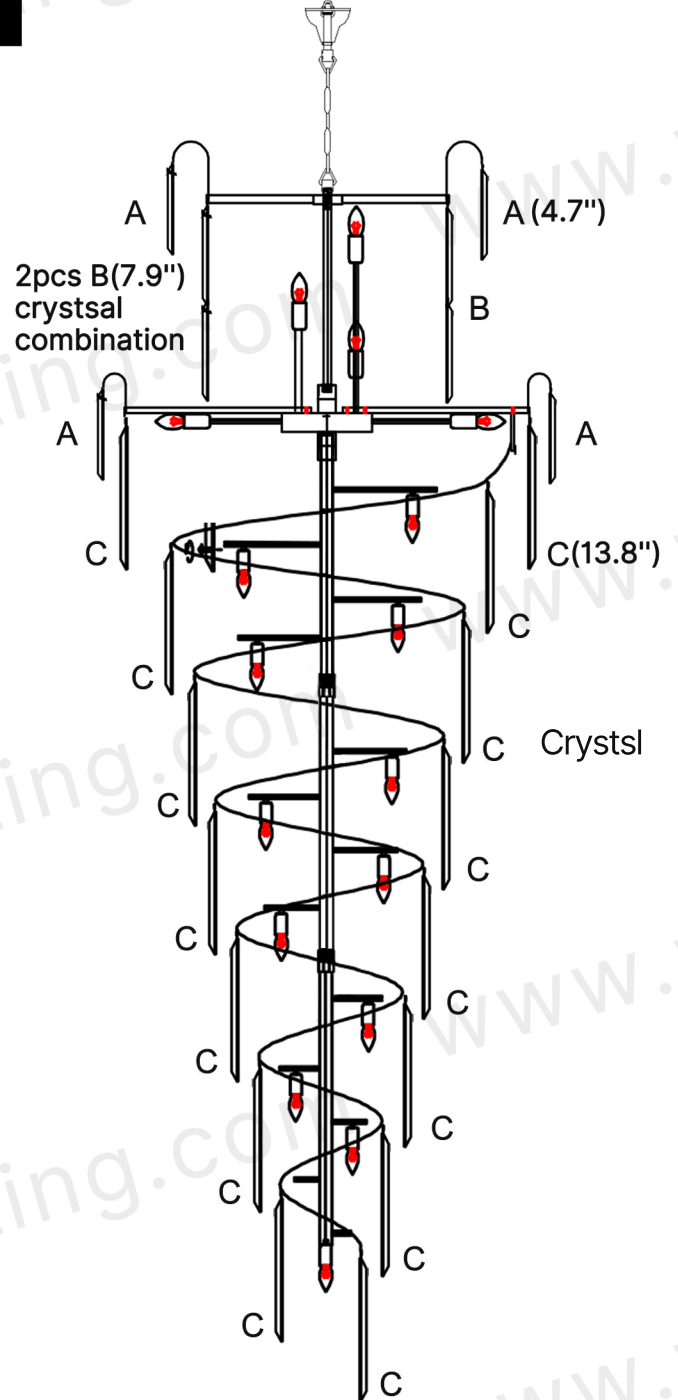
If you have any questions, please feel free contact to us, THANK YOU!

 : sales@yoogee-lighting.com

 : +8613322904008

7


Install the led bulb and test the electricity.
 Counterclockwise mounting spiral bar
 (look from bottom to top is
 counterclockwise).

8


Hang crystal A on the outer frame of
 thebig/small lamp body. Hang crystal
 B on theinner ring of the small lamp
 body. Hangcrystal C on the spiral
 strip.

Installation precautions

1. This lamp is applicable for 110V to 240V power supply.
2. Please cut off the power supply before installation, and the installation shall be carried out by a professional electrician.
3. Cut off the power supply before cleaning.
4. Use a non-corrosive cleaner during cleaning.
5. After receiving the goods, please test the power supply first to ensure that there is no problem with the lamps and then install them on the ceiling.

If you have any questions, please feel free contact to us, THANK YOU!