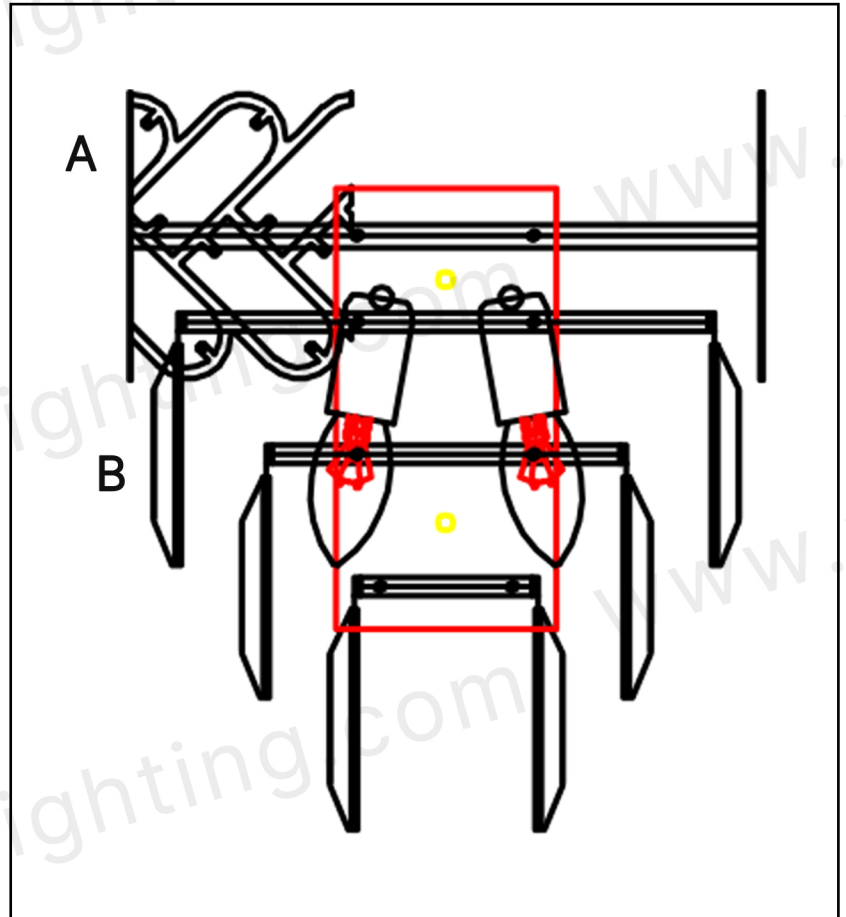
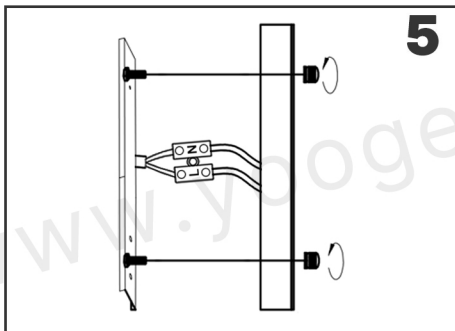
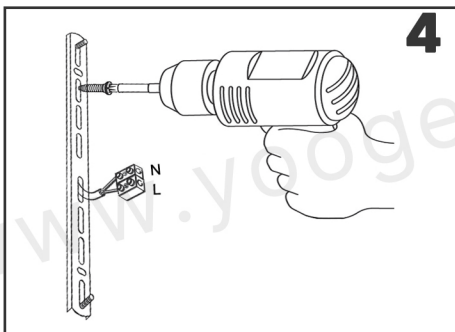
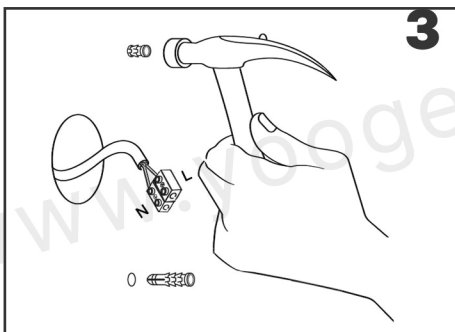
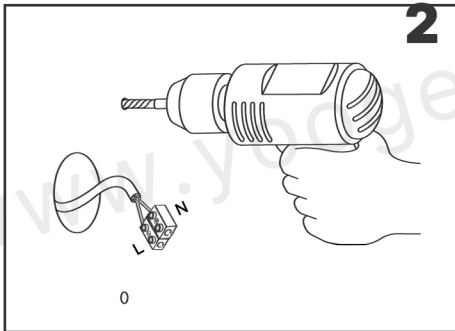


PLEASE NOTE:

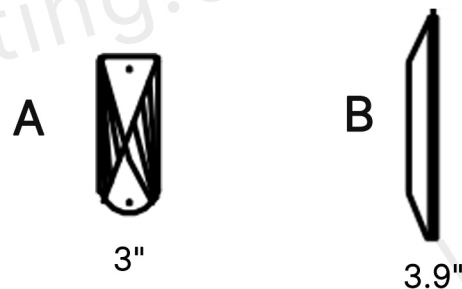
Please keep the electricity powered off during the installation process!

1. Fix the mounting bracket to the ceiling
2. Install the LED Bulbs and test whether the circuit is unobstructed
3. Please install the crystal according to the picture below




Crystal hanging method:

Please hang the crystal A on the top of lamp body, hang crystal B on the bottom crystal shelf.



If you have any questions, please feel free contact to us, THANK YOU!

 : sales@yoogee-lighting.com

 : +8613322904008