

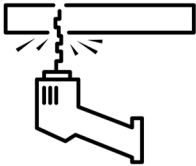
Steps for Installing a Crystal Chandelier

1. Preparation



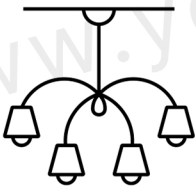
- Tools Needed: Drill, screwdriver, pliers, electrical tape, ladder, etc.
- Check the Components: Ensure all parts are complete (chandelier base, crystal parts, screws, bulbs, etc.).
- Turn Off Power: Always turn off the electricity at the circuit breaker before starting.

2. Install the Mounting Base



- Determine the Location: Mark the mounting points on the ceiling based on the chandelier's size.
- Secure the Mounting Plate:
 - For heavier chandeliers, use expansion screws or hooks for added support.
 - Drill holes in the ceiling and securely fix the mounting plate.
- Connect the Wires:
 - Connect the chandelier wires to the ceiling's power wires (live wire [L], neutral wire [N], and ground wire [E]).
 - Use electrical tape to wrap the connections securely.

3. Attach the Chandelier Body



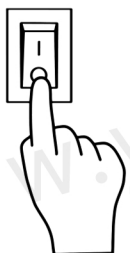
- Hang the Chandelier Body: Attach the chandelier body to the mounting plate or hook, ensuring it is secure.
- Adjust Balance: Ensure the chandelier hangs straight and does not tilt.

4. Install Crystal Components



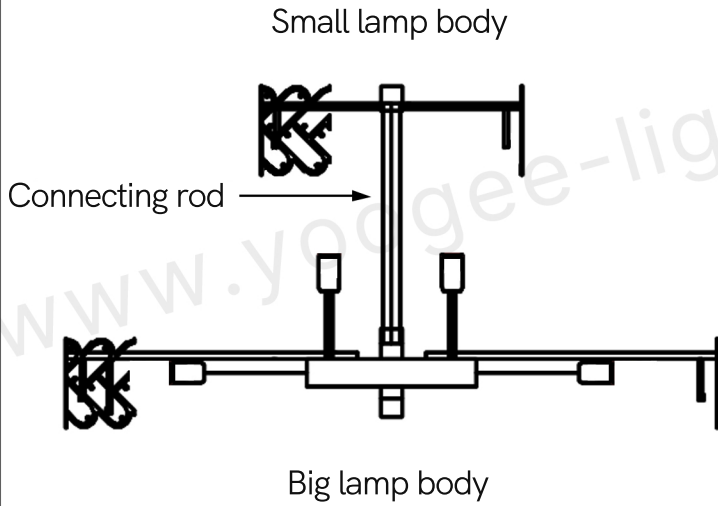
- Install Light Bulbs:
 - Insert the bulbs according to the instructions, ensuring they don't exceed the wattage limit.
- Hang Crystal Pendants:
 - Refer to the instruction manual to hang the crystals in the correct order.
 - Wear gloves to avoid fingerprints or smudges on the crystals.
- Check Stability: Ensure all crystals are securely attached to prevent them from falling.

5. Test the Chandelier



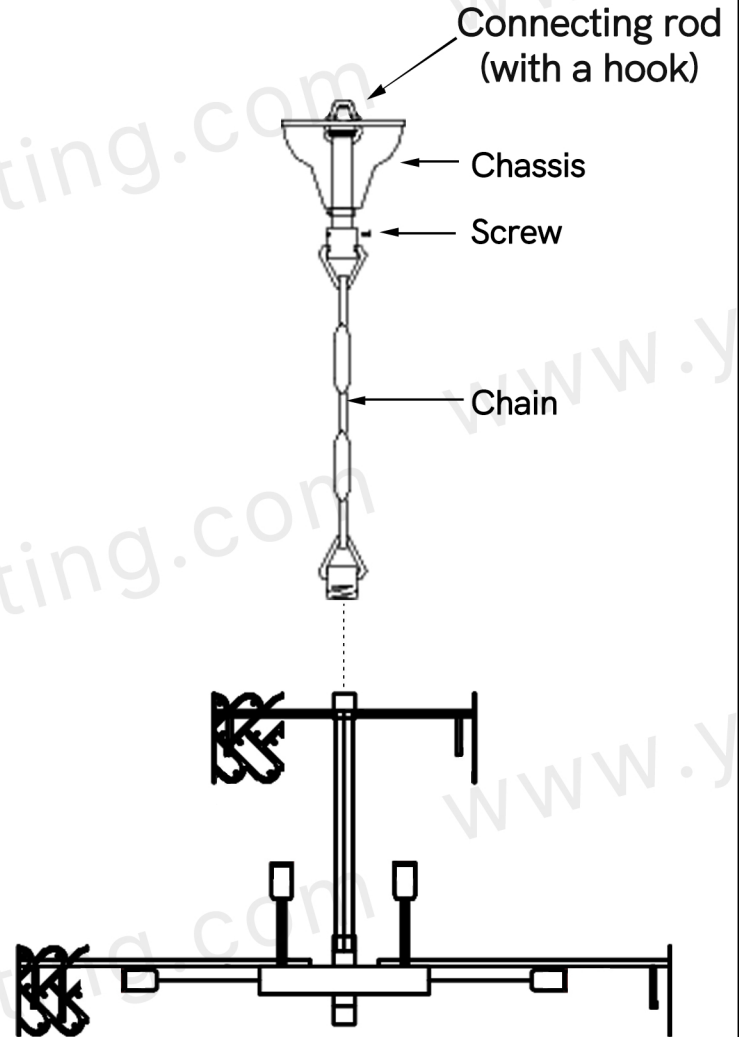
- Turn on the Power: Restore the electricity and check if the chandelier lights up properly.
- Adjust Lighting: If the chandelier supports dimming, test the dimming functionality.

1



Connect the big lamp body and the small lamp body through the connecting rod.

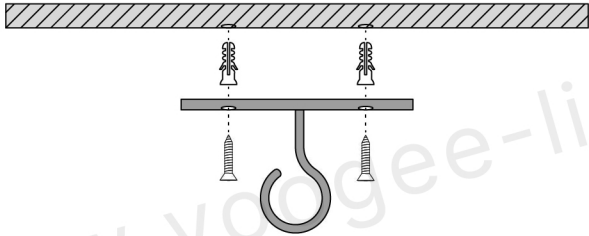
2



Connect the chassis to the chain via a connecting rod (with a hook), tighten the screws. Then install the chain on the lamp body.

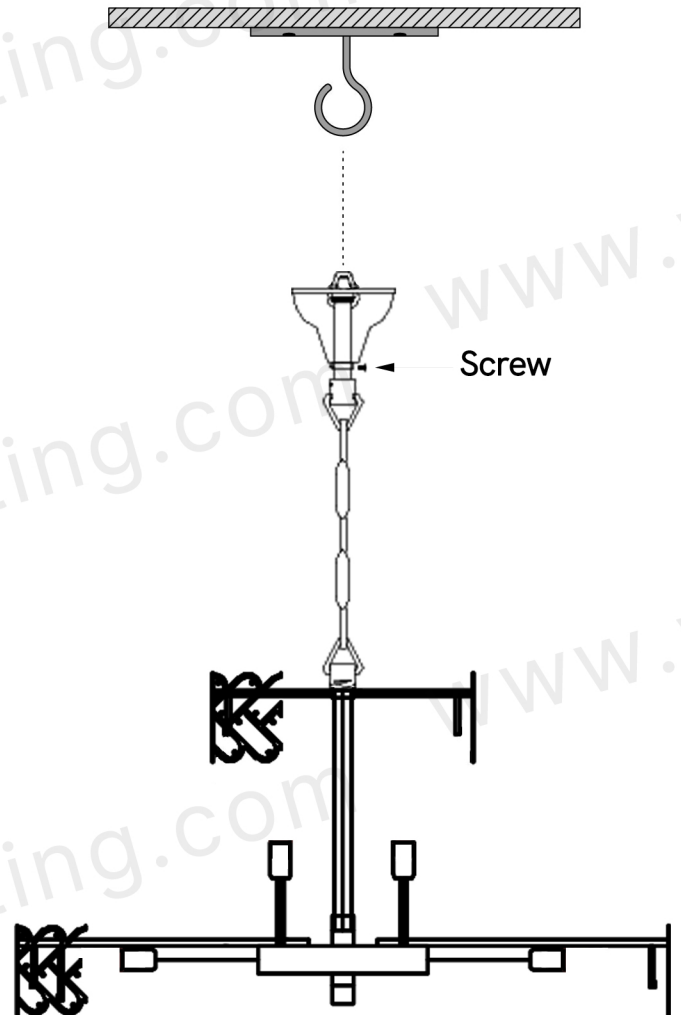
If you have any questions, please feel free contact to us, THANK YOU.

3



Install hook on the ceiling by using expansion screws.

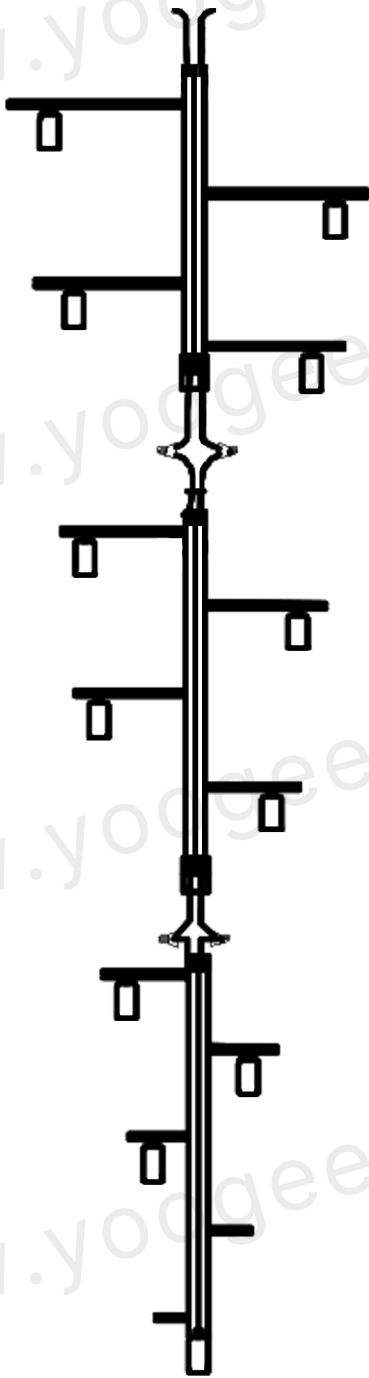
4



Hang the lamp body part on the hook, and lock the screw of the chassis.

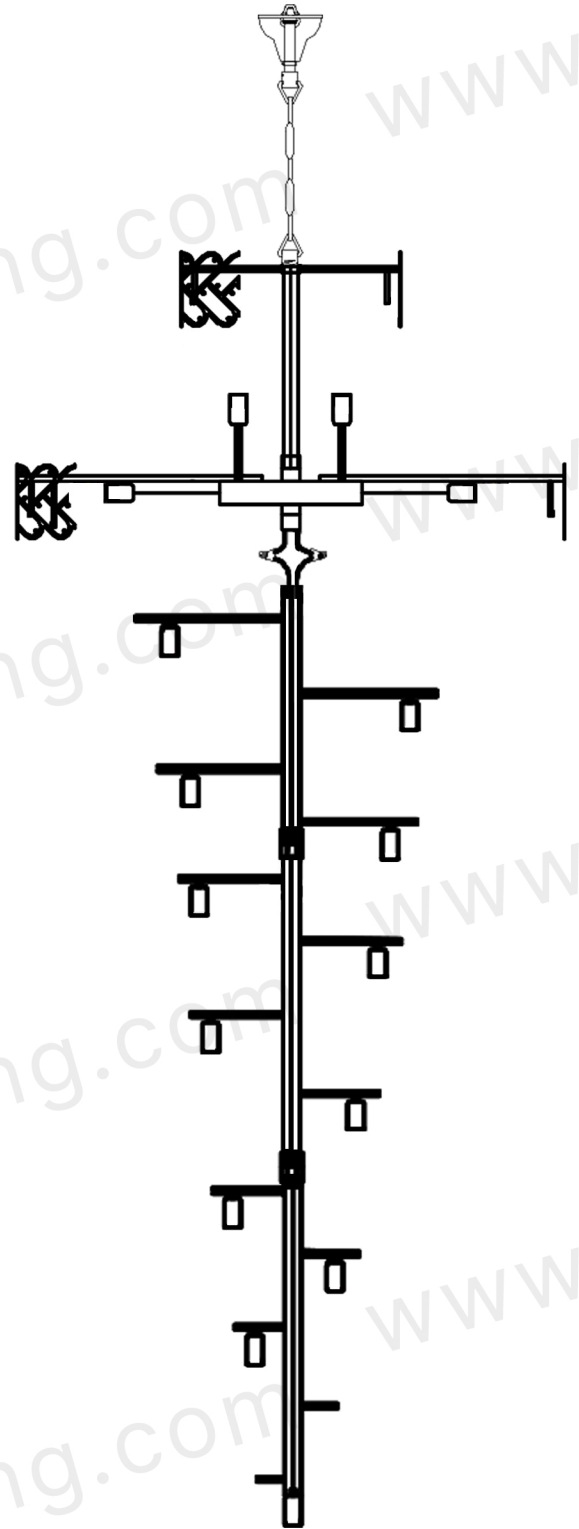
If you have any questions, please feel free contact to us, THANK YOU.

5



Connect all the round tubes together and connect the wires.

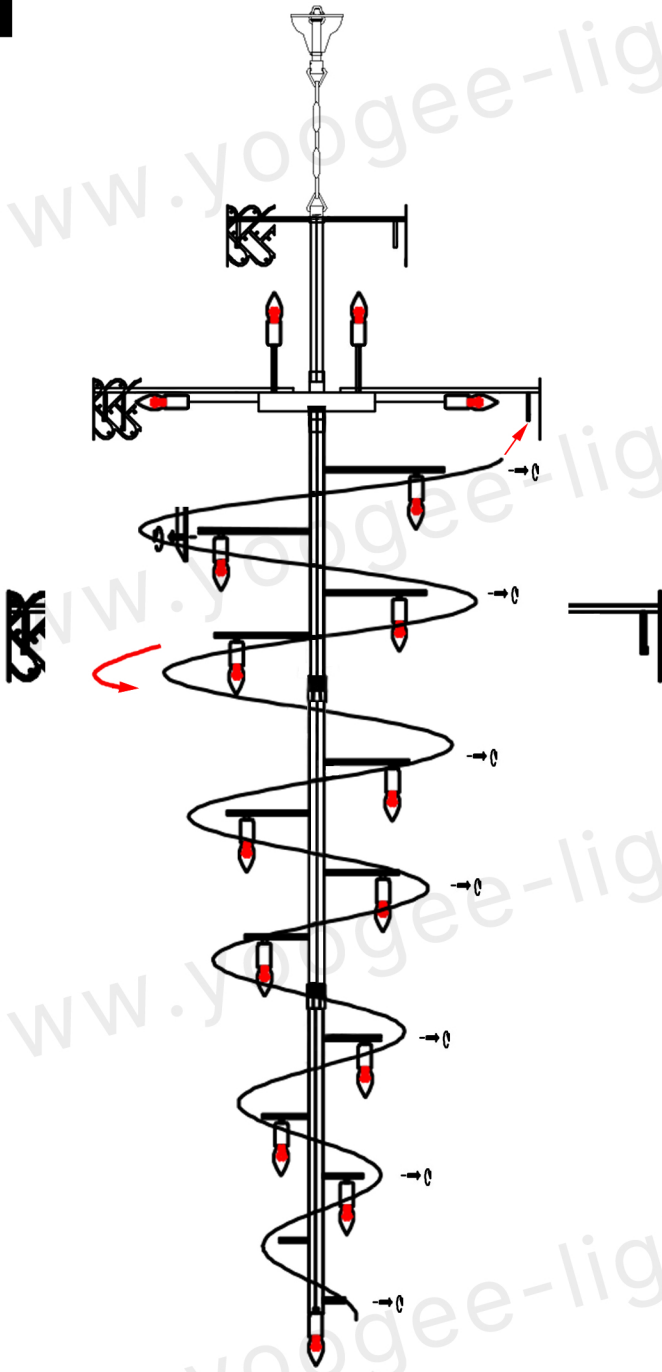
6



Install the round tube on the lamp body and connect the wires.

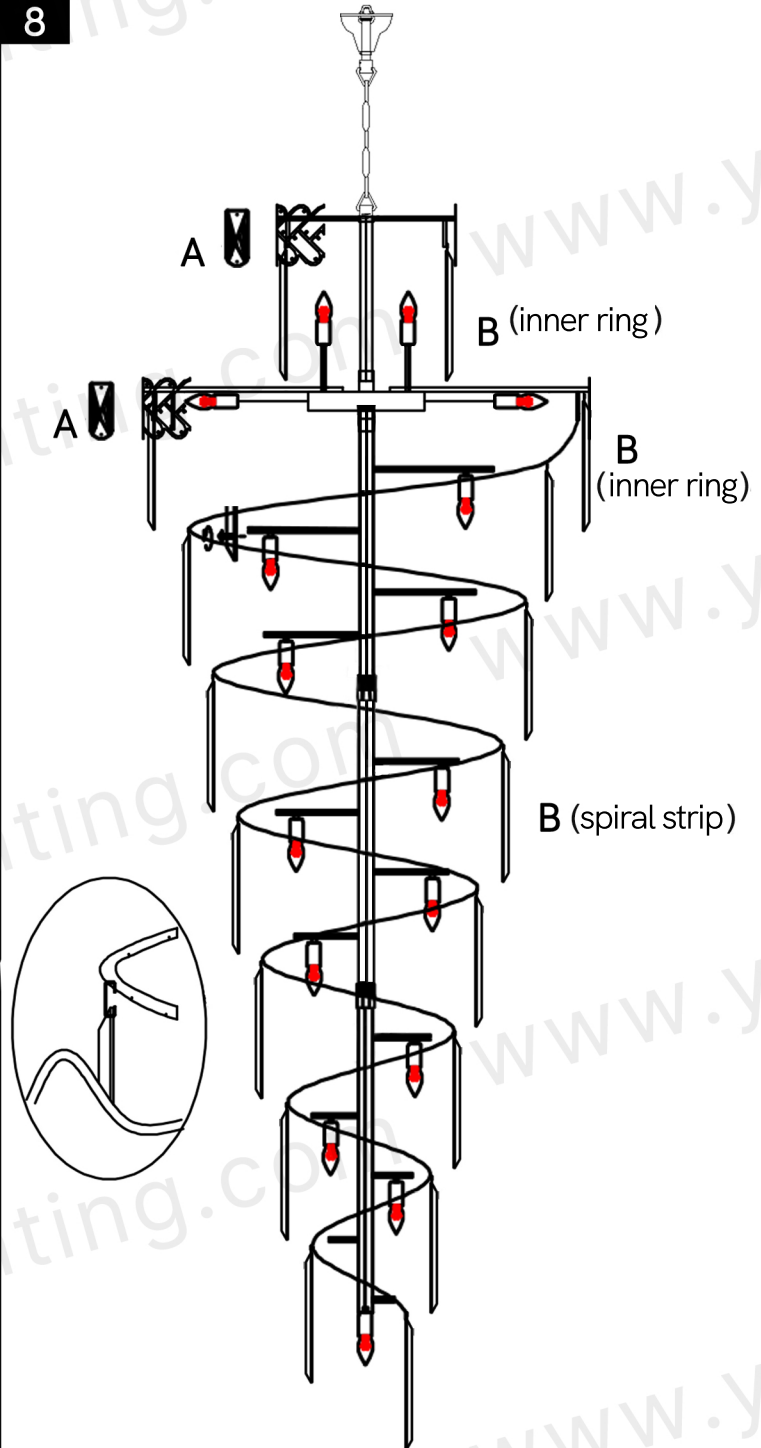
If you have any questions, please feel free contact to us, THANK YOU.

7



Install the led bulb and test the electricity.
Counterclockwise mounting spiral bar
(look from bottom to top is counterclockwise)

8



Hang crystal A on the outer frame of the big/small lamp body. Hang crystal B on the inner ring of the lamp body and spiral strip.

Installation precautions

1. This lamp is applicable for 110V to 240V power supply.
2. Please cut off the power supply before installation, and the installation shall be carried out by a professional electrician.
3. Cut off the power supply before cleaning.
4. Use a non-corrosive cleaner during cleaning.
5. After receiving the goods, please test the power supply first to ensure that there is no problem with the lamps and then install them on the ceiling.

If you have any questions, please feel free contact to us, THANK YOU.