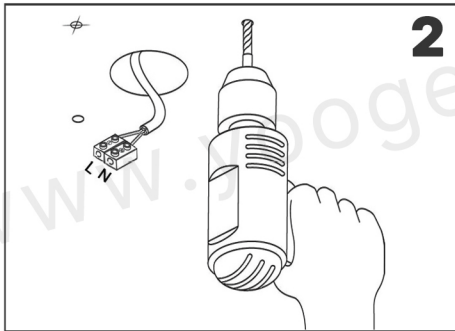


**1**

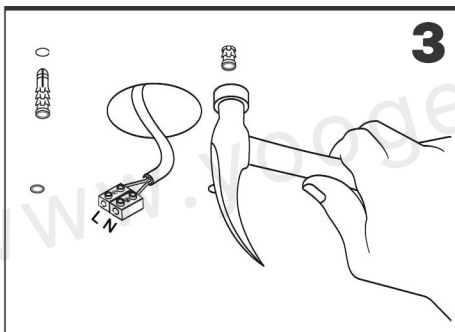
**PLEASE NOTE:**

Please keep the electricity powered off during the installation process!

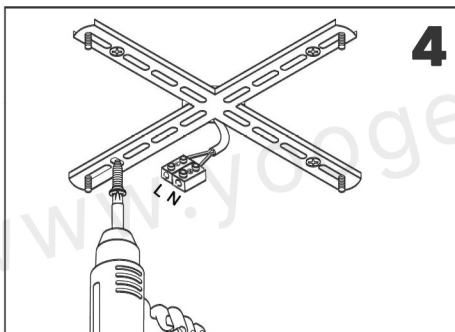
1. Fix the mounting bracket to the ceiling
2. Install the LED Bulbs and test whether the circuit is unobstructed.
3. Please install the crystals according to the picture.



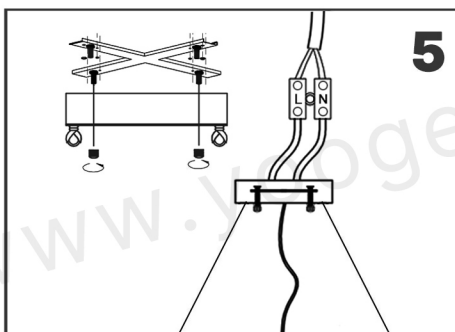
**2**



**3**

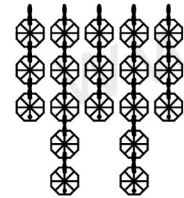


**4**

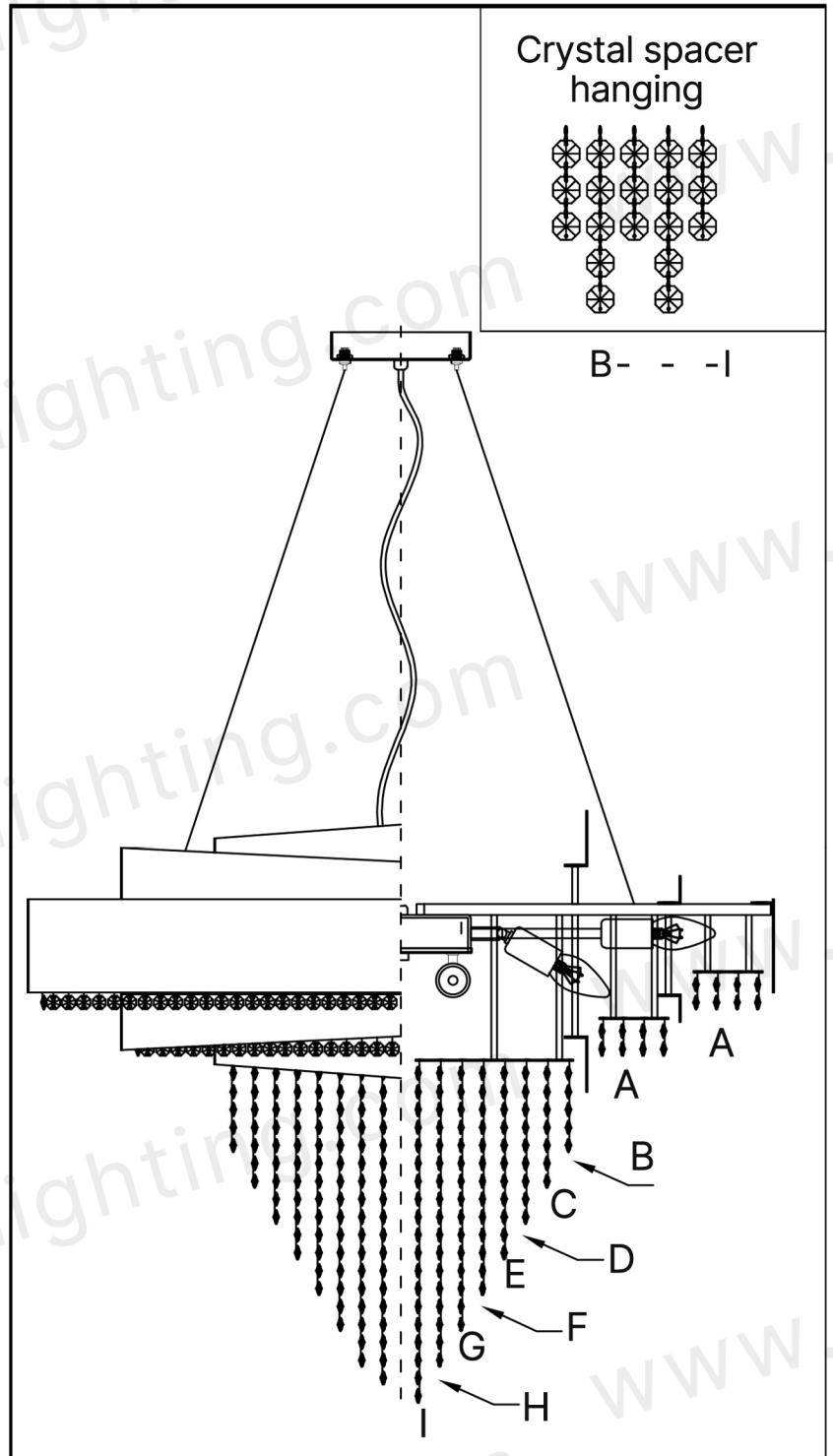


**5**

**Crystal spacer hanging**



B - - - I



If you have any questions, please feel free contact to us, THANK YOU!

## Crystal allocation plan:

A	14#*2	848PCS
B	14#*3	31PCS
	14#*5	31PCS
C	14#*5	27PCS
	14#*7	27PCS
D	14#*7	23PCS
	14#*9	23PCS
E	14#*9	19PCS
	14#*11	9PCS
F	14#*11	15PCS
	14#*13	15PCS
G	14#*13	11PCS
	14#*15	11PCS
H	14#*15	8PCS
	14#*17	8PCS
I	14#*17	3PCS
	14#*19	3PCS

If you have any questions, please feel free contact to us, THANK YOU!