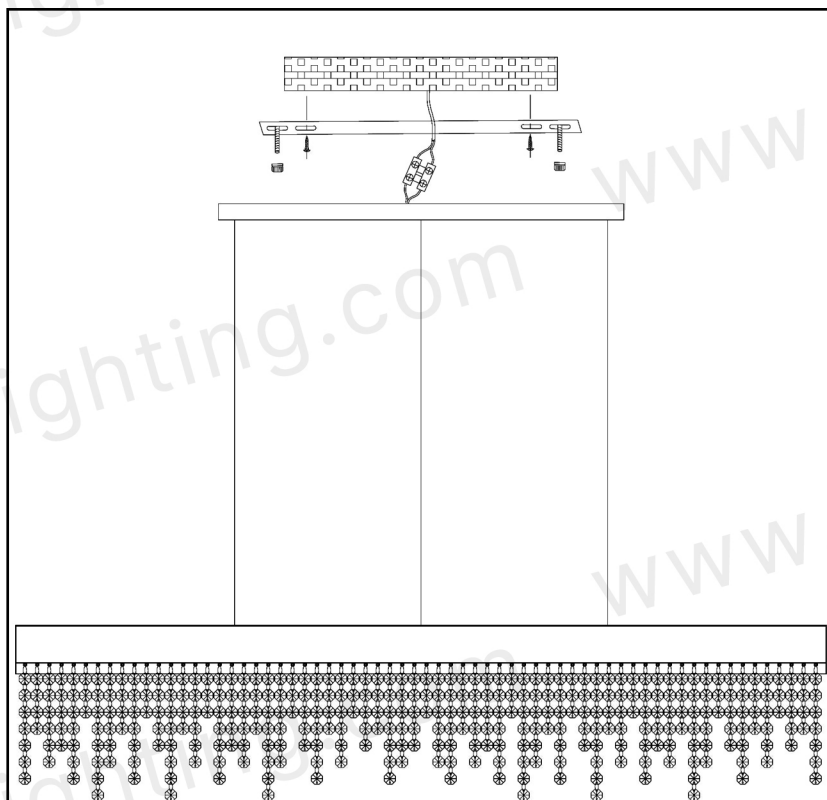


PLEASE NOTE:




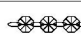
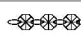


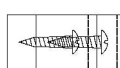
Please keep the electricity powered off during the installation process!

1. Fix the mounting bracket to the ceiling
2. Please connect the wires and test whether the circuit is unobstructed
3. Please install the crystal according to the picture below




The crystals can be randomly arranged during installation.

Parts list

Number	Parts	Quantity
①		50
		50
		50
		50
		50
		50
		47
②		1

If you have any questions, please feel free contact to us, THANK YOU!

 : sales@yoogee-lighting.com

 : +8613322904008