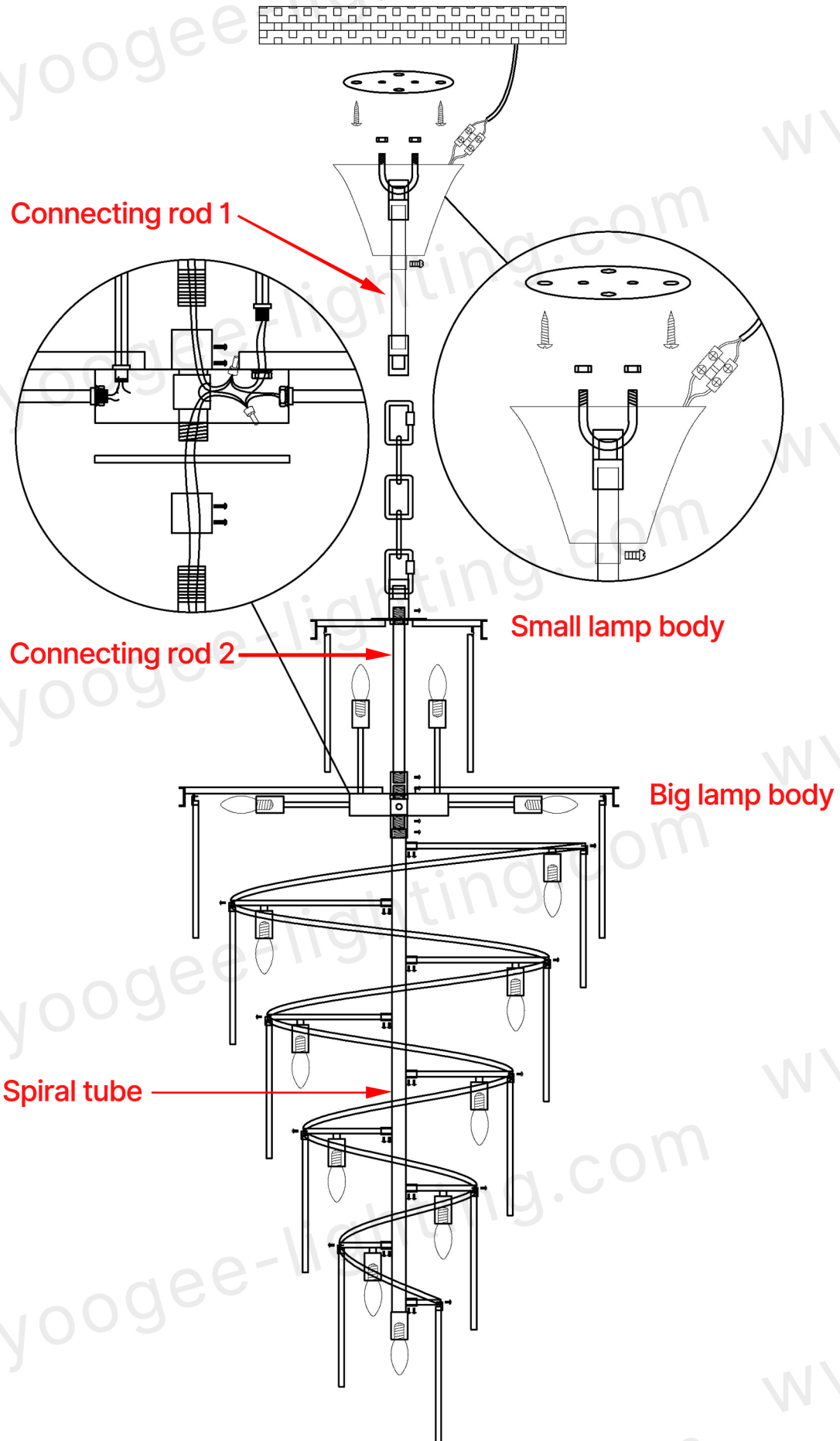


PLEASE NOTE:

Please keep the electricity powered off during the installation process!

1. Fix the mounting bracket to the ceiling.
2. Connect the big and small lamp bodies together through the connecting rod 2.
3. Lock the branches on the spiral tube.
4. Install the spiral tube on the big lamp body and connect the wires.
5. Hang the entire chandelier on the connecting rod 1 on the chassis through the hanging chain, and connect the wires.
6. install the spiral strip counterclockwise on the spiral tube (look from bottom to top).
7. Install the led bulbs and test whether the circuit is unobstructed.
8. Hang crystals.

If you have any questions, please feel free contact to us, THANK YOU!



If you have any questions, please feel free contact to us, THANK YOU!

✉ : sales@yoogee-lighting.com

☎ : +8613322904008