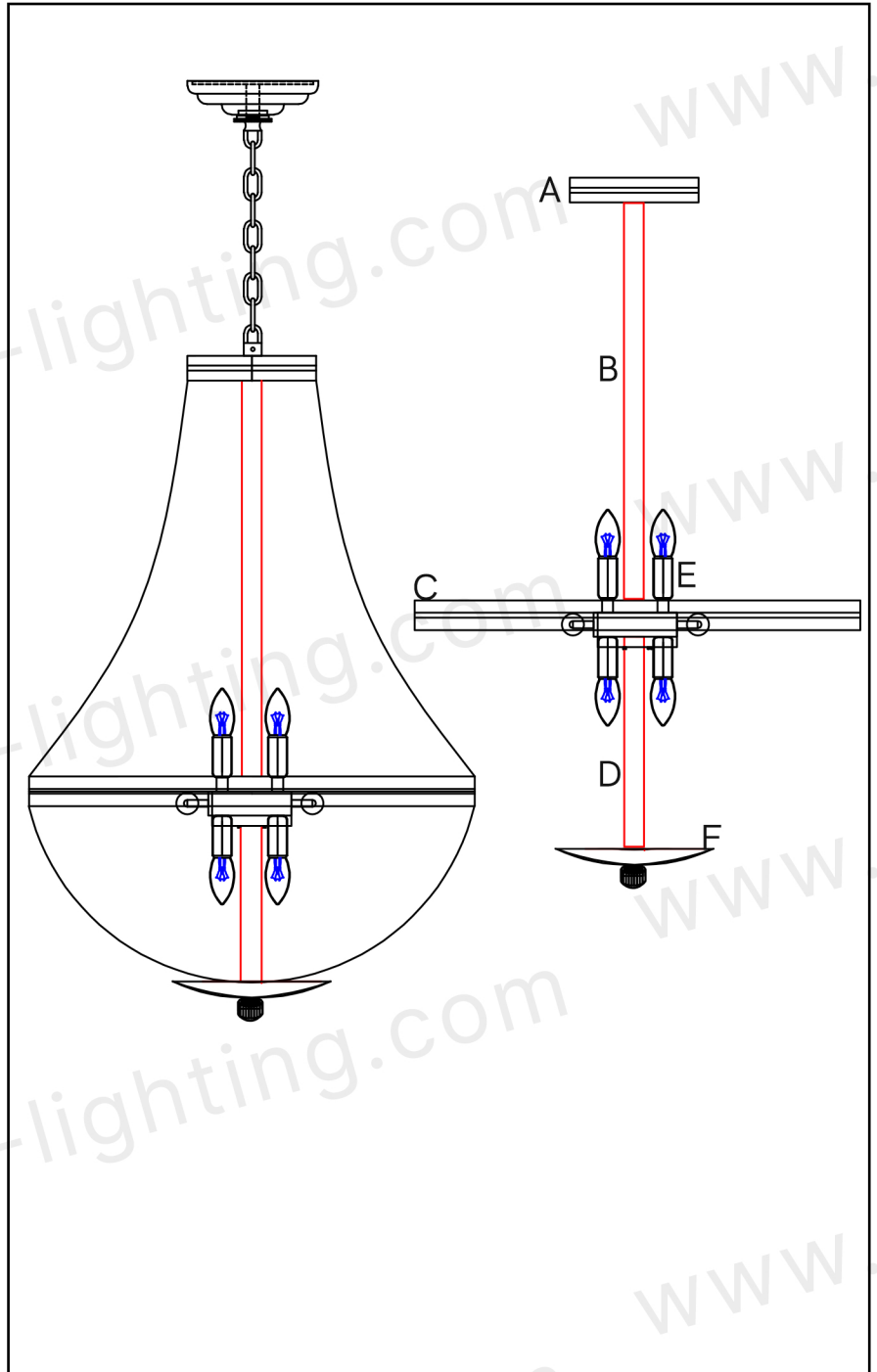


PLEASE NOTE:

Please keep the electricity powered off during the installation process!

1. Fix the mounting bracket to the ceiling
2. Connect A and C, E and F through two connecting rods B and D
3. Install the LED Bulbs and test whether the circuit is unobstructed



If you have any questions, please feel free contact to us, THANK YOU!